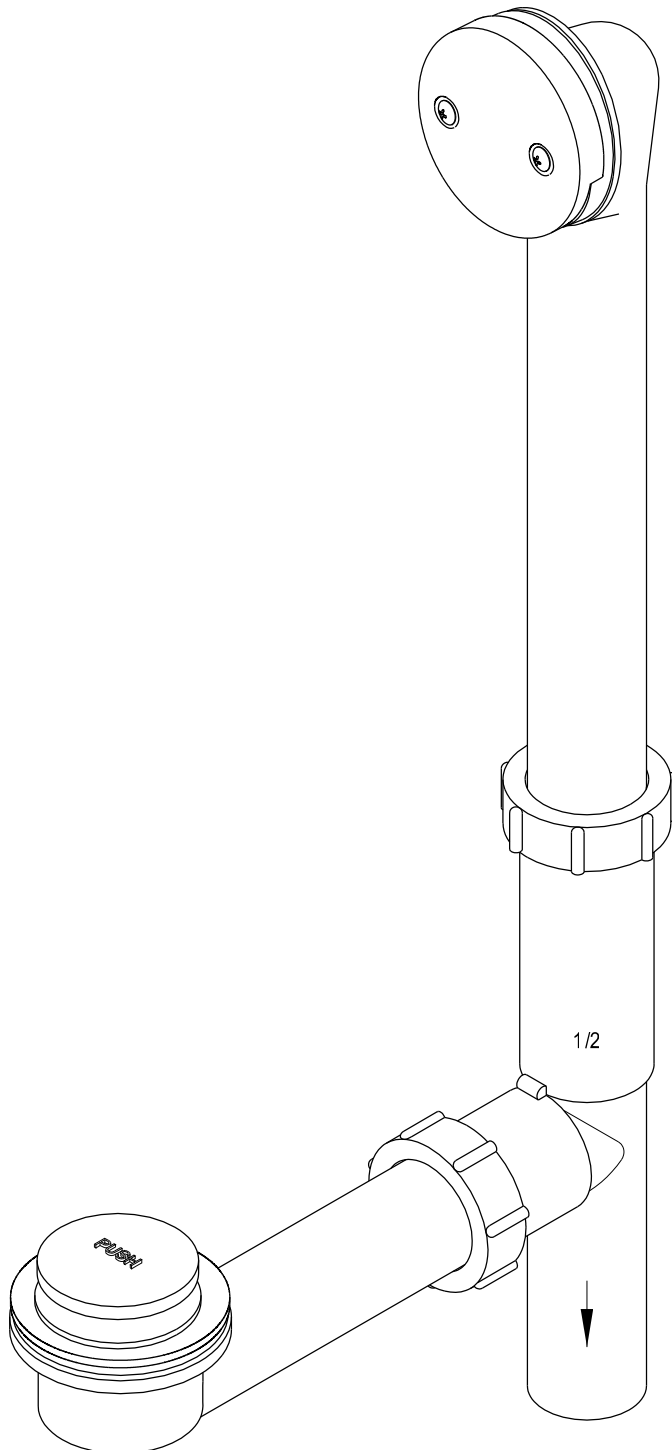


KINGSTON BRASS

THE TRADITION OF FINE BRASS



www.kingstonbrass.com

TOLL-FREE CUSTOMER SERVICE: 1-877-2-KBRASS

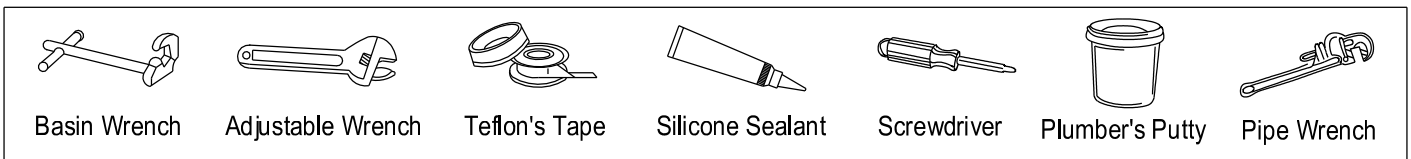
TECHNICAL SUPPORT E-mail: service@kingstonbrass.com

12775 Reservoir Street, Chino, CA91710

Installation Instructions For Use With KB's ABS Clawfoot Tub Bath Drain

- Note:
1. Observe all local plumbing and building codes.
 2. Inspect waste and supply tubing; replace if necessary.
 3. If you are installing a new bath, install the drain before installing the bath.
Refer to the manufacturer's installation instructions.
 4. Adjustable pop-up drain has removable parts.

TOOLS REQUIRED



INSTALLATION INSTRUCTIONS

1. Place rubber washer (9) onto waste tube (8) and set them under the tub.
2. Apply Teflon's tape on strainer thread and a bead of silicone sealant under waste strainer (10) and thread into waste tube (8). wipe off excess sealant.
3. Place rubber gasket (3) on over flow elbow, hold to the back of the tub at the overflow opening, and screw in cover plate (2).
4. Slip joint nuts (5) and Washers (6) onto overflow tube (4) and waste tube(8).
5. Apply Teflon's tape to all three threads on three way tee(7).
6. Slip on tee onto both the waste tube (8) and overflow tube (4) , adjust to desired location and tighten slip joint nuts (5).
7. Fill tub with water, sufficient to cover the overflow cover plate (2), check for leaks and retighten any connections as necessary.

