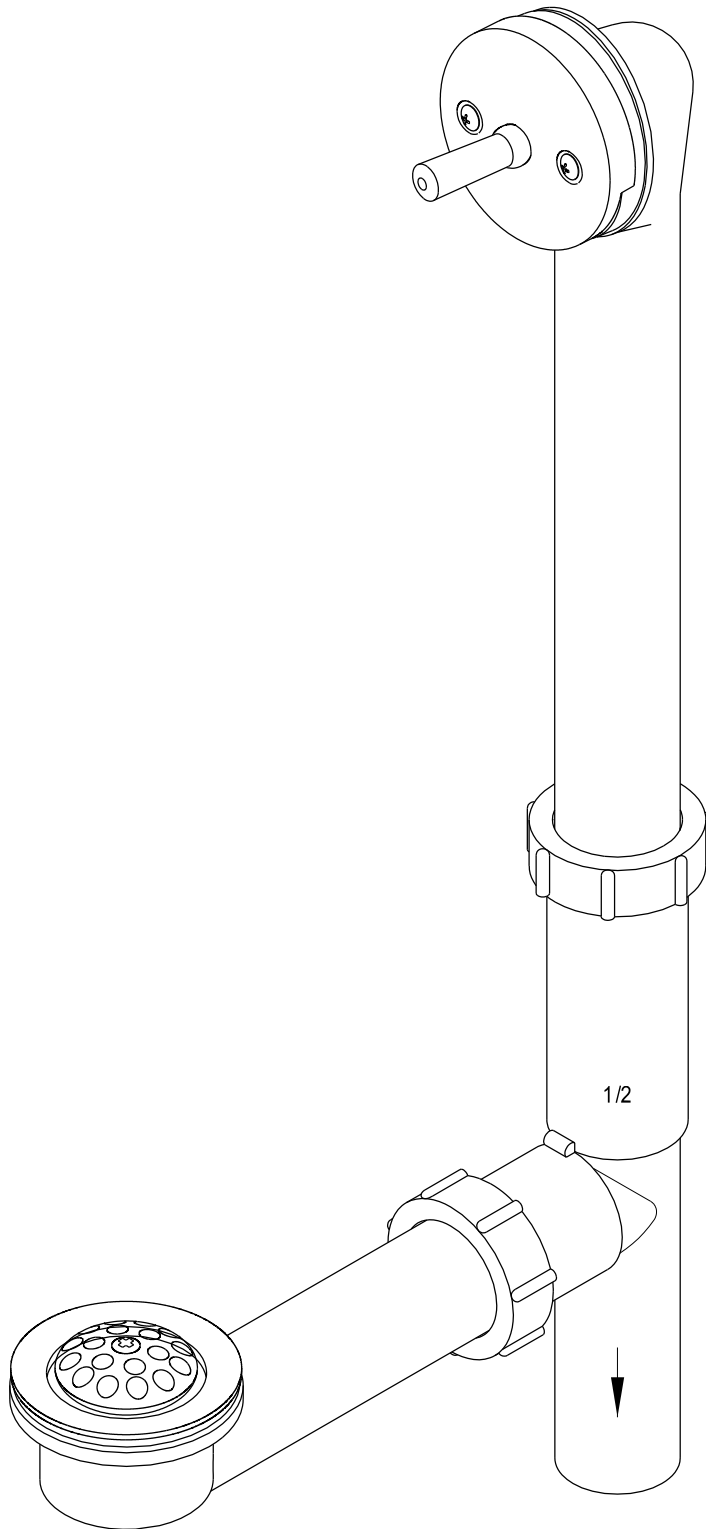


KINGSTON BRASS

THE TRADITION OF FINE BRASS



www.kingstonbrass.com

TOLL-FREE CUSTOMER SERVICE: 1-877-2-KBRASS

TECHNICAL SUPPORT E-mail: service@kingstonbrass.com

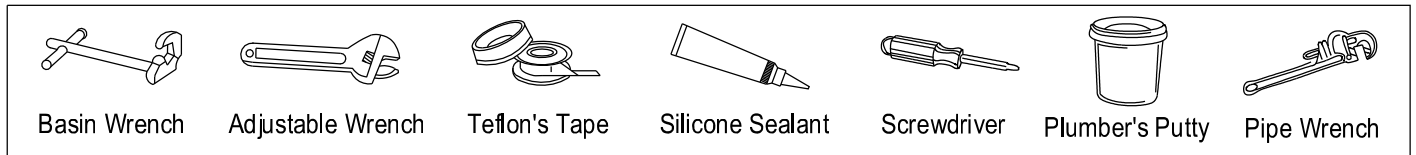
12775 Reservoir Street, Chino, CA91710

Installation Instructions

For Use With KB's ABS Trip Lever Bath Waste

- Note: 1. Observe all local plumbing and building codes.
 2. Inspect waste and supply tubing; replace if necessary.
 3. If you are installing a new bath, install the drain before installing the bath.
 Refer to the manufacturer's installation instructions.
 4. Adjustable pop-up drain has removable parts.

TOOLS REQUIRED



INSTALLATION INSTRUCTIONS

1. Place rubber washer (14) onto waste tube (13) and set them under the tub.
2. Apply Teflon's tape on strainer thread and a bead of silicone sealant under grid cover (15) and thread into waste tube (13). wipe off excess sealant
3. Attach Plunger mechanism to overflow cover plate with the aid of the cotter pin (11).
4. Place rubber gasket (3) on overflow tube, hold to the back of the tub at the overflow opening.
5. Insert plunger mechanism with the attached cover plate from inside the tub into the overflow tube. Secure by attaching cover plate to overflow tube using the two machine screws.
6. Adjust linkage so that in a close position plunger fit snug inside seat of tee.
7. Slip joint nuts(5) and plastic washers(6) onto overflow tube (4) and waste tube (13).
8. Apply Teflon's tape to all three threads on three way tee (12).
9. Slip on tee onto both the waste tube (13) and overflow tube (4) , adjust to desired location and tighten slip joint nut
10. Fill tub with water, sufficient to cover the overflow cover plate (2), check for leaks and retighten any connections as necessary.

