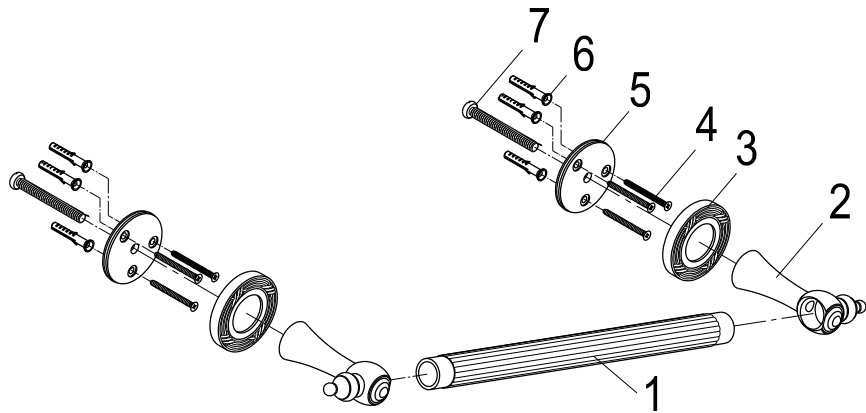


KINGSTON BRASS

THE TRADITION OF FINE BRASS

Collection Grab Bar Installation



PART NAME	QUANTITY	PART NAME	QUANTITY
① Bar	1	⑤ Mounting Plate	2
② Base	2	⑥ Anchor	6
③ Cover	2	⑦ Screw	2
④ Mounting Screw	6		

www.kingstonbrass.com

TOLL-FREE CUSTOMER SERVICE: 1-877-2-KBRASS

TECHNICAL SUPPORT E-mail: service@kingstonbrass.com

12775 Reservoir Street, Chino, CA91710

TOOLS REQUIRED



Flathead Screwdriver



Phillips Screwdriver



Marking Pencil



Hammer



Power Drill

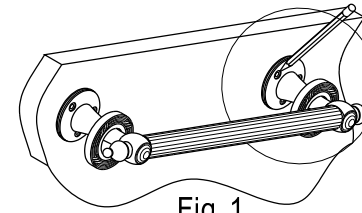


Fig. 1

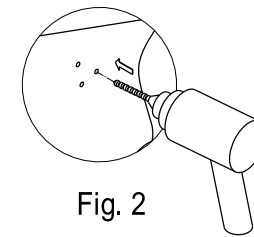


Fig. 2

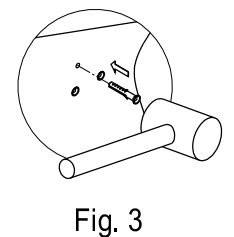


Fig. 3

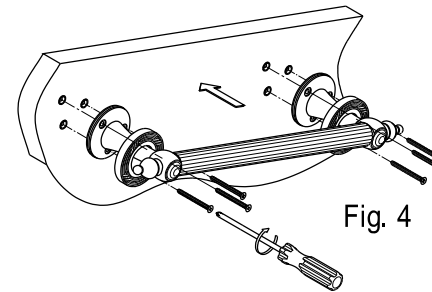


Fig. 4

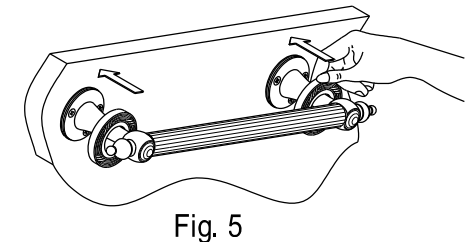


Fig. 5

Cleaning

Clean with a damp cloth only. Avoid using metal or abrasive polishes.

Installation Steps:

Step 1. Locate position on the wall and mark location of the holes for mounting screws. (Fig.1)

Step 2. Drill holes at the marked locations. (Fig.2)

Step 3. Insert anchors into the holes until flush with wall. (Fig.3)

Step 4. Place the unit by tightening mounting screws with phillips screwdriver until the base is tightly fixed. (Fig.4)

Step 5. Shift cover along the base and place the cover over the mounting plate by pressing gently until the cover is tightly fixed. (Fig.5)