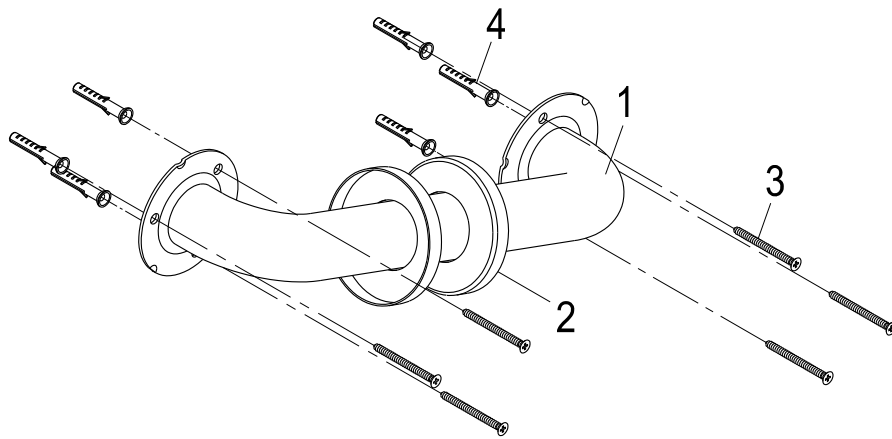


Grade Grab Bar Installation



PART NAME	QUANTITY	PART NAME	QUANTITY
① Bar	1	③ Mounting Screw	6
② Cover	2	④ Anchor	6

www.kingstonbrass.com
TOLL-FREE CUSTOMER SERVICE: 877-2-KBRASS
TECHNICAL SUPPORT E-mail: service@kingstonbrass.com
6240 Prescott Court, Chino, CA91710

TOOLS REQUIRED

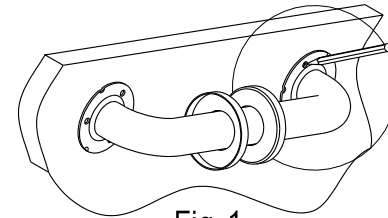
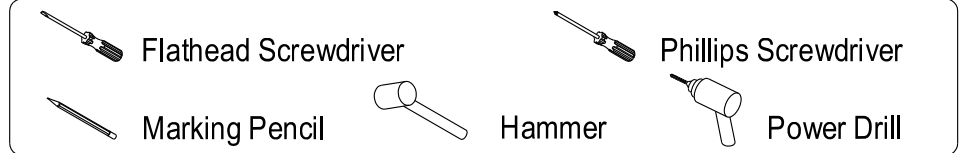


Fig. 1

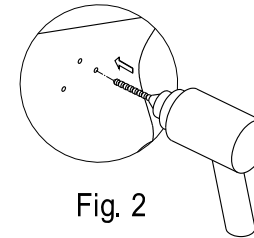


Fig. 2

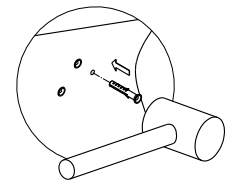


Fig. 3

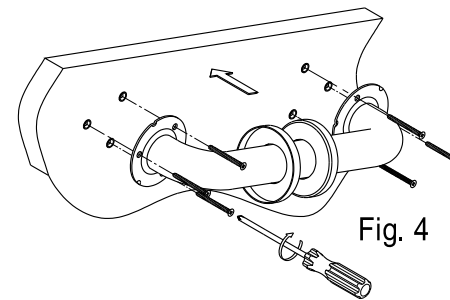


Fig. 4

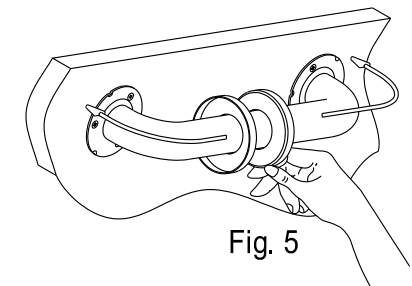


Fig. 5

Installation Steps:

- Step 1. Locate position on the wall and mark location of the holes for mounting screws. (Fig.1)
- Step 2. Drill holes at the marked locations.(Fig.2)
- Step 3. Insert anchors into the holes until flush with wall. (Fig.3)
- Step 4. Place the unit by tightening mounting screws with phillips screwdriver until the base is tightly fixed. (Fig.4)
- Step 5. Shift cover along the base and place the cover over the mounting plate by pressing gently until the cover is tightly fixed. (Fig.5)

Cleaning

Clean with a damp cloth only.
Avoid using metal or abrasive polishes.