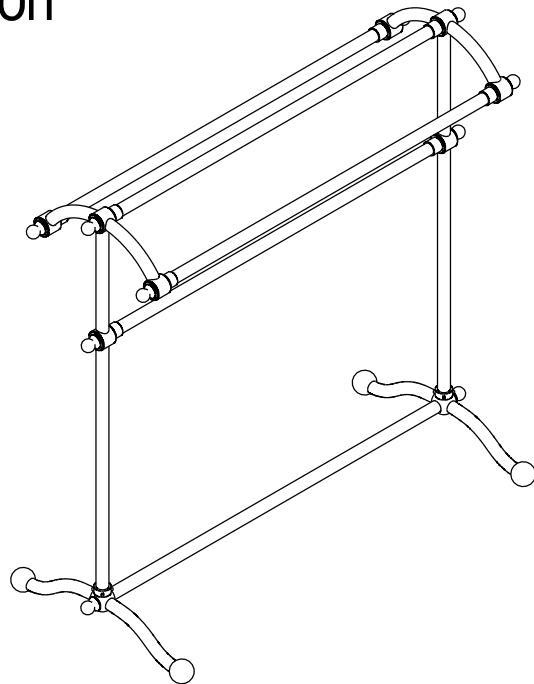


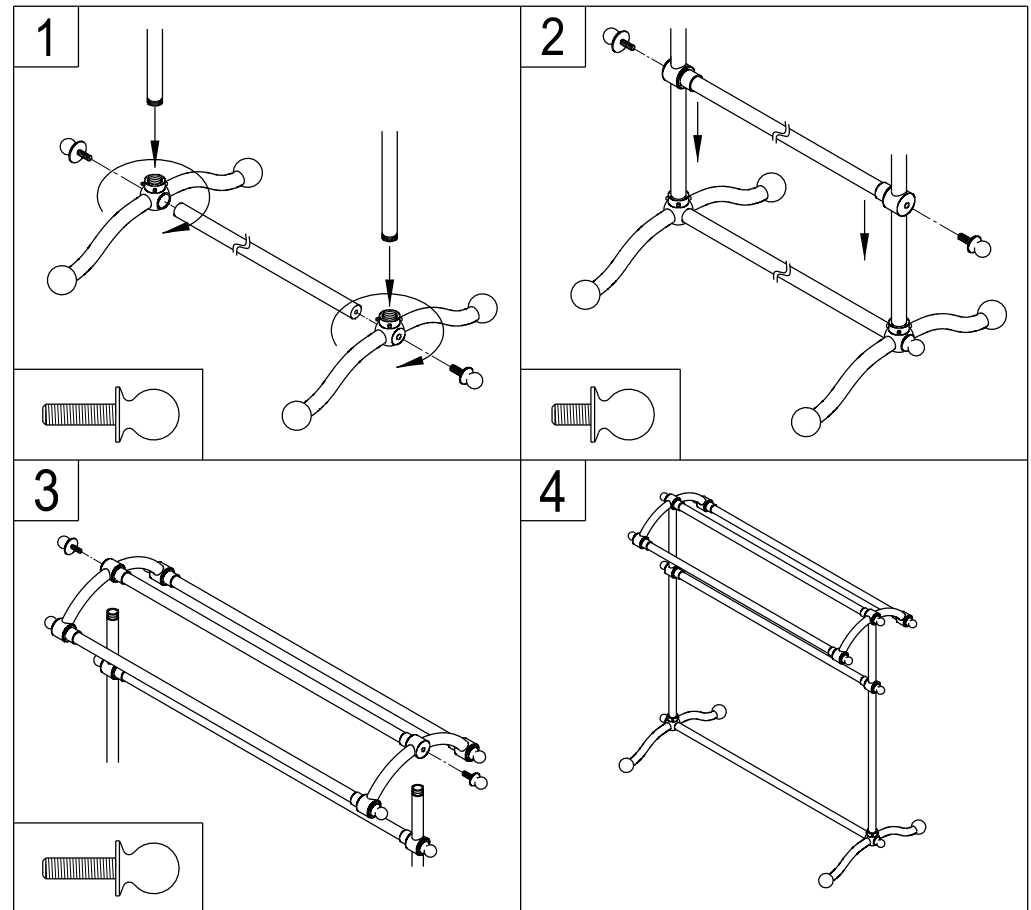
Towel Rack Installation



Parts:

Length Screw	Short Screw
X4	X2

www.kingstonbrass.com
TOLL-FREE CUSTOMER SERVICE: 1-877-2-KBRASS
TECHNICAL SUPPORT E-mail: service@kingstonbrass.com
12775 Reservoir Street, Chino, CA91710



Installation Steps:

- Step 1. Screw in 29" vertical side bars into foot and bolt in bottom bar between assembly.
- Step 2. Slide middle bar down vertical side bars and tighten bolts at desired level.
- Step 3. Bolt in top rack assembly to bottom assembly.
- Step 4. Check all bolts are tight and secure on your completed towel rack.