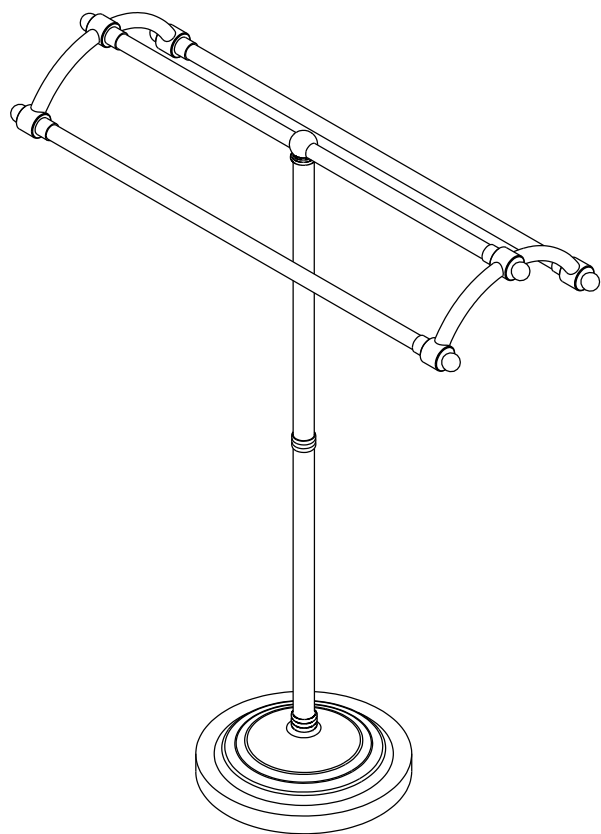
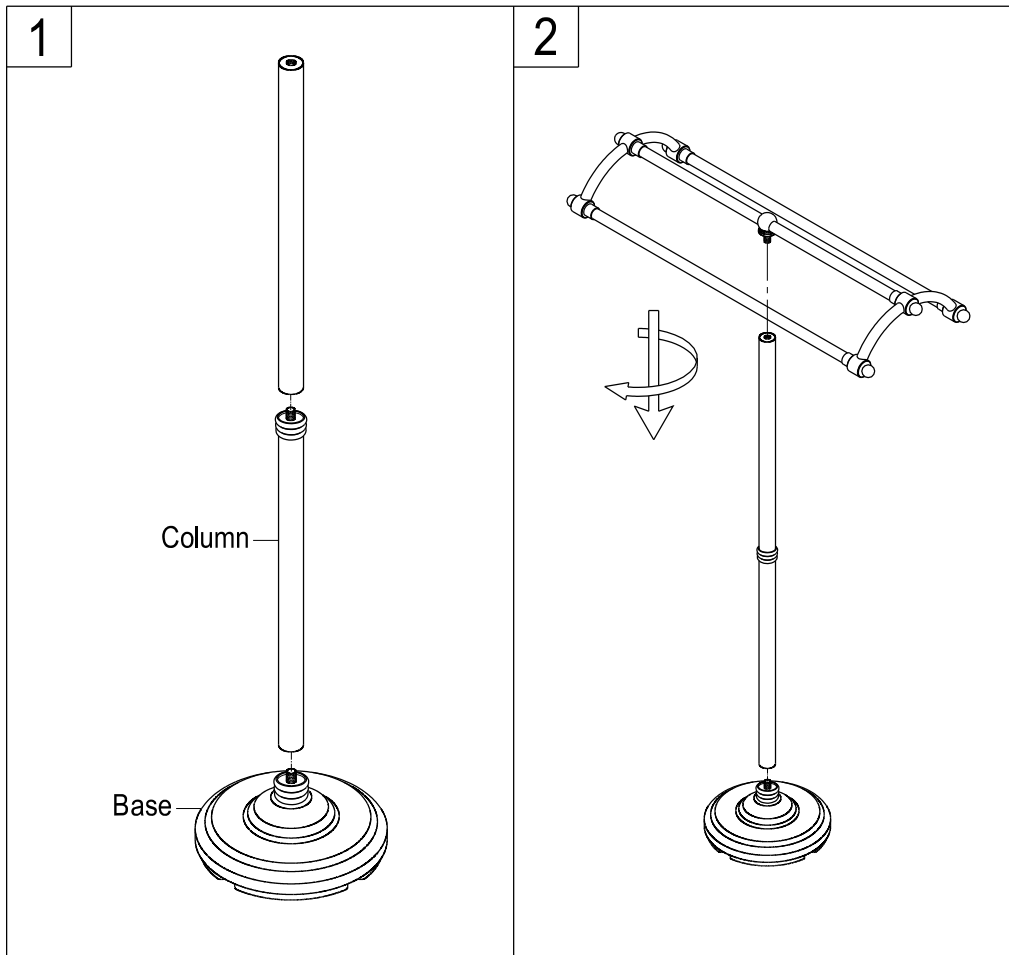


Towel Rack Installation



www.kingstonbrass.com
TOLL-FREE CUSTOMER SERVICE: 1-877-2-KBRASS
TECHNICAL SUPPORT E-mail: service@kingstonbrass.com
12775 Reservoir Street, Chino, CA91710



Installation Steps:

- Step 1. Put the base in a level space on ground.
Thread one end of column to base in clockwise and connect two columns together.
- Step 2. Install rack to end of column and hand tighten in clockwise till fully secure.