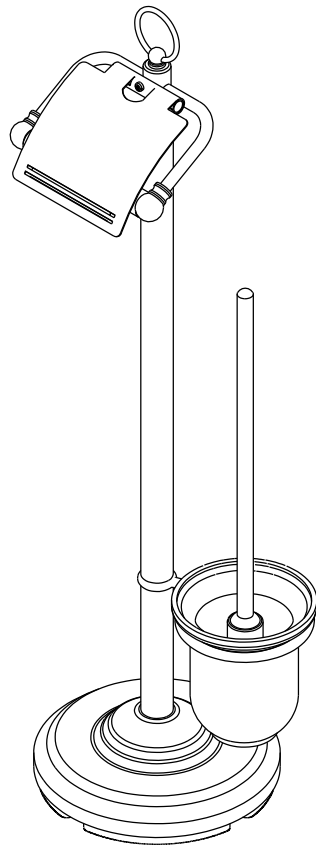
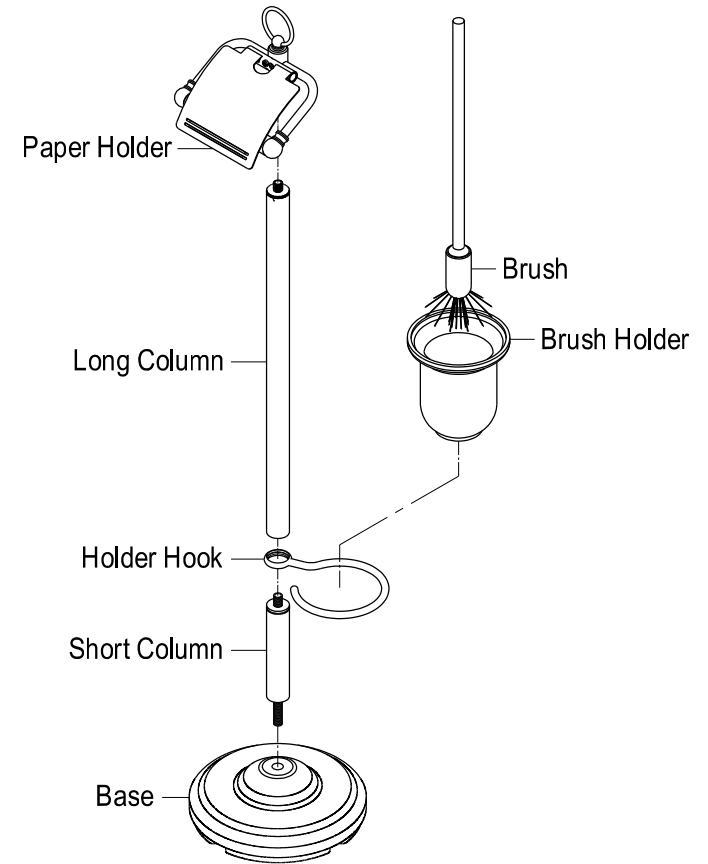
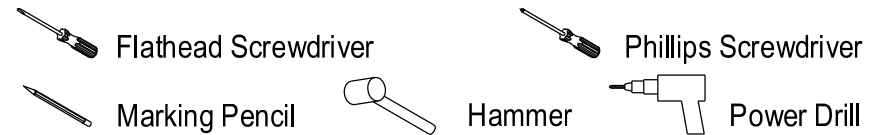


Pedestal Toilet Paper Holder Stool with Brush Holder Installation



www.kingstonbrass.com
TOLL-FREE CUSTOMER SERVICE: 1-877-2-KBRASS
TECHNICAL SUPPORT E-mail: service@kingstonbrass.com
12775 Reservoir Street, Chino, CA91710

TOOLS REQUIRED



Installation Steps:

- Step 1. Place base on a solid level surface and thread in short column in a clockwise direction.
- Step 2. Insert holder hook onto top portion of short column.
- Step 3. Thread long column on top of holder hook.
- Step 4. Thread paper holder on top of long Column .
- Step 5. Insert spring loaded toilet paper holder bar.
- Step 6. Insert Brush holder cup and brush.

Cleaning

Clean with a damp cloth only.
Avoid using metal or abrasive polishes.