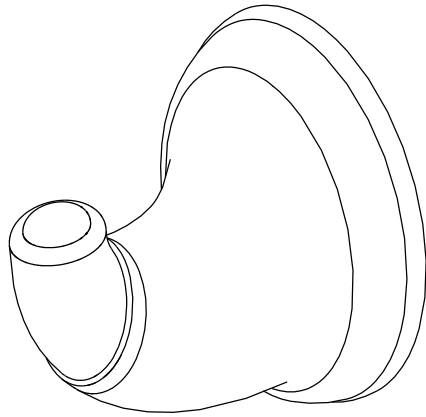
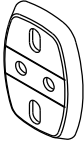
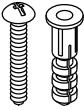



# Robe Hook Installation



## Parts:

Mounting Plate	Mounting Screw & Anchor	Slotted Set Screw
		
X1	X2	X1

www.kingstonbrass.com  
TOLL-FREE CUSTOMER SERVICE: 1-877-2-KBRASS  
TECHNICAL SUPPORT E-mail: service@kingstonbrass.com  
12775 Reservoir Street, Chino, CA91710

## TOOLS REQUIRED

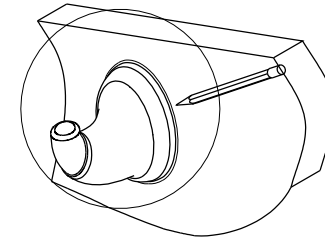
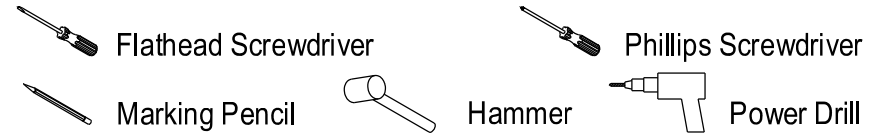


Fig. 1

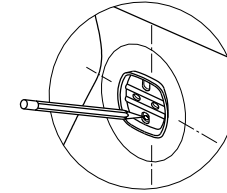


Fig. 2

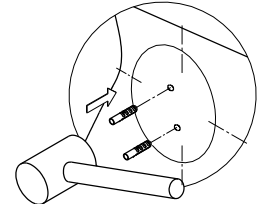


Fig. 3

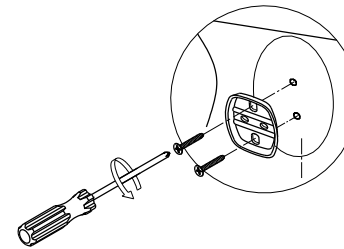


Fig. 4

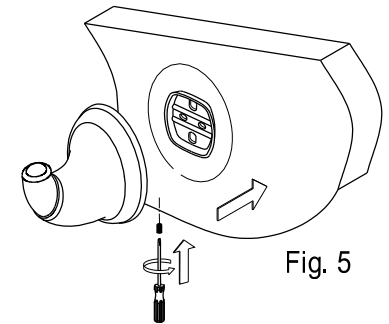


Fig. 5

## Installation Steps:

- Step 1. Locate position on the wall and mark outline of cover plate on the wall. (Fig.1)
- Step 2. Unscrew Slotted Set Screw at base and remove mounting plate.
- Step 3. Locate mounting plate in the center of outline. Mark location of the mounting screw (Fig.2) and drill holes at the marked location.
- Step 4. Insert anchors into the holes until flush with wall. (Fig.3)
- Step 5. Screw the mounting plate to wall with mounting screw. (Fig.4)
- Step 6. Place the unit, with the small hole of cover plate underneath, over the mounting plate by tightening slotted set screw with flat head screwdriver until the base is tightly fixed. (Fig.5)

## Cleaning

Clean with a damp cloth only.  
Avoid using metal or abrasive polishes.