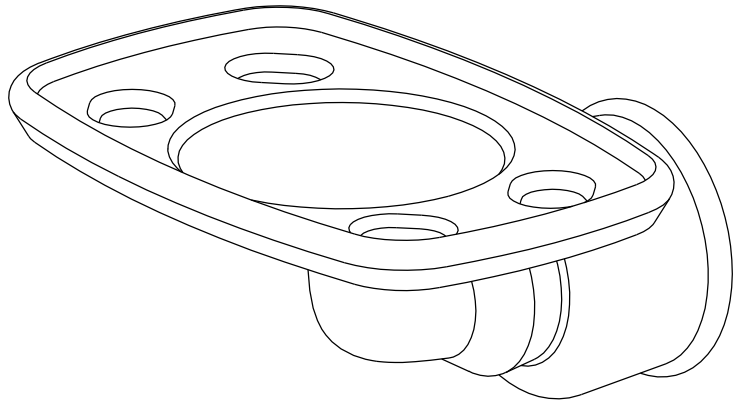

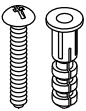
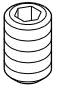



Ceramic Tooth Brush/Tumbler Holder Installation



Parts:

Mounting Plate	Mounting Screw & Anchor	Slotted Set Screw	Allen Wrench
			
1 Pc	2 Pcs	2 Pcs	1 Pc

www.kingstonbrass.com
TOLL-FREE CUSTOMER SERVICE: 1-877-2-KBRASS
TECHNICAL SUPPORT E-mail: service@kingstonbrass.com
12775 Reservoir Street, Chino, CA91710

TOOLS REQUIRED

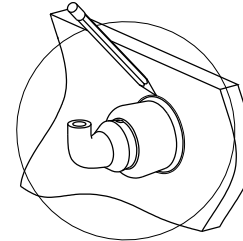
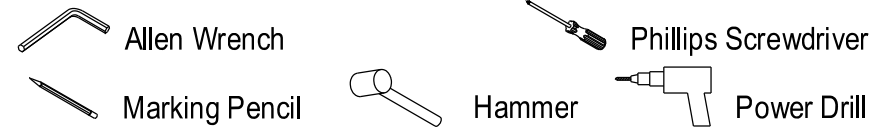


Fig. 1

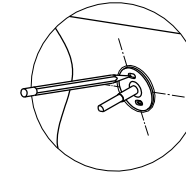


Fig. 2

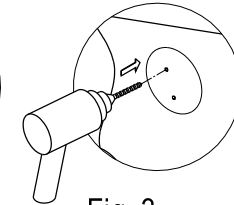


Fig. 3

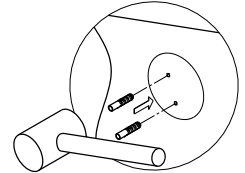


Fig. 4

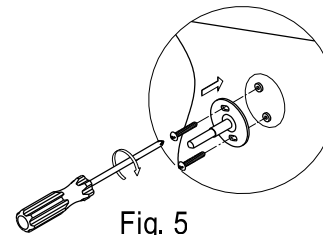


Fig. 5

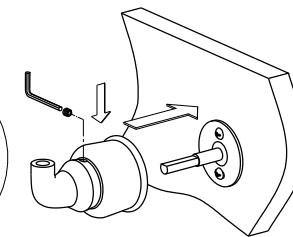


Fig. 6

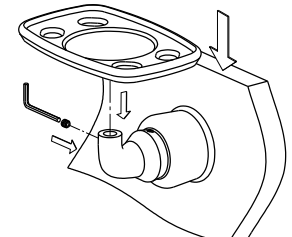


Fig. 7

Installation Steps:

- Step 1. Locate where you would like to install the ceramic tooth brush/tumbler holder. Place the base onto the wall and trace around it with a pencil (fig 1).
- Step 2. Unscrew the slotted set screw of the base and remove the mounting plate.
- Step 3. Place the mounting plate in the center of the pencil outline you just made and mark the location of the mounting screws (fig 2). Drill holes at the marked locations (fig 3).
- Step 4. Insert anchors into the holes with a hammer until flush with the wall (fig 4).
- Step 5. Screw the mounting plate (with flat side up) to the wall with the mounting screws (fig 5).
- Step 6. Place the base onto the mounting plate and use the allen wrench to tighten the slotted screw to hold it in place (fig 6).
- Step 7. Insert the ceramic tooth brush/tumbler holder to the hole in the base and tighten the slotted screw with the allen wrench (fig 7).

Cleaning

Clean with a damp cloth only.
Avoid using metal or abrasive polishes.