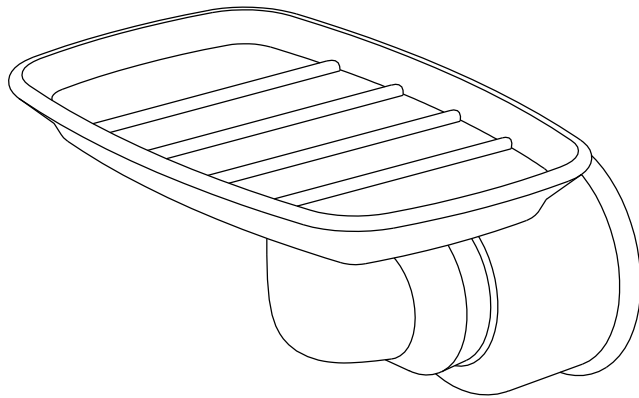

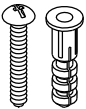
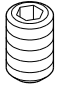



## Soap Dish Installation



### Parts:

Mounting Plate	Mounting Screw & Anchor	Slotted Set Screw	Allen Wrench
			
1 Pc	2 Pcs	2 Pcs	1 Pc

www.kingstonbrass.com  
 TOLL-FREE CUSTOMER SERVICE: 1-877-2-KBRASS  
 TECHNICAL SUPPORT E-mail: service@kingstonbrass.com  
 12775 Reservoir Street, Chino, CA91710

### TOOLS REQUIRED

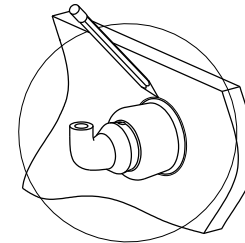
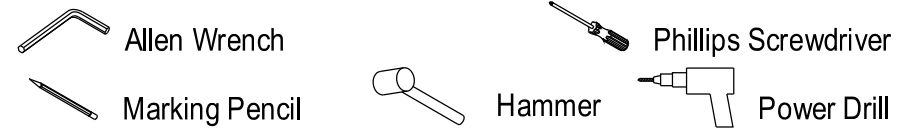


Fig. 1

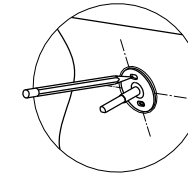


Fig. 2

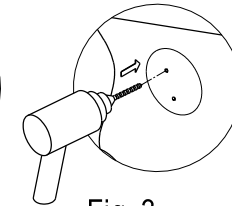


Fig. 3

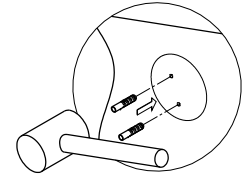


Fig. 4

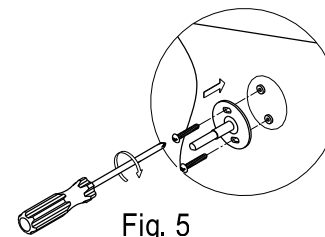


Fig. 5

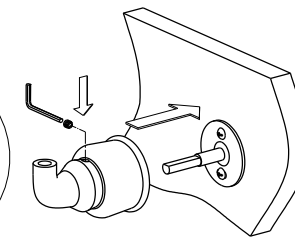


Fig. 6

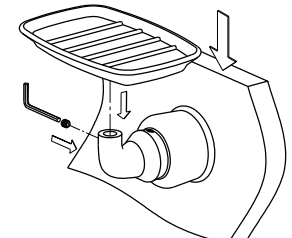


Fig. 7

### Installation Steps:

- Step 1. Locate where you would like to install the soap dish.  
Place the base onto the wall and trace around it with a pencil (fig 1).
- Step 2. Unscrew the slotted set screw of the base and remove the mounting plate.
- Step 3. Place the mounting plate in the center of the pencil outline you just made and mark the location of the mounting screws (fig 2). Drill holes at the marked locations (fig 3).
- Step 4. Insert anchors into the holes with a hammer until flush with the wall (fig 4).
- Step 5. Screw the mounting plate (with flat side up) to the wall with the mounting screws (fig 5).
- Step 6. Place the base onto the mounting plate and use the allen wrench to tighten the slotted screw to hold it in place (fig 6).
- Step 7. Insert the soap dish into the hole in the base and tighten the slotted screw with the allen wrench (fig 7).

### Cleaning

Clean with a damp cloth only.  
 Avoid using metal or abrasive polishes.