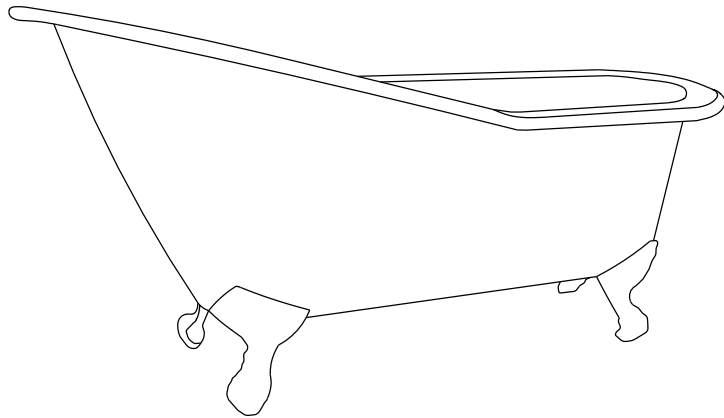
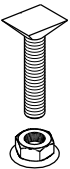
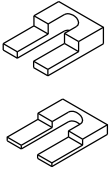




Safe & Anti-Slide Cast Iron Bath Tub Installation



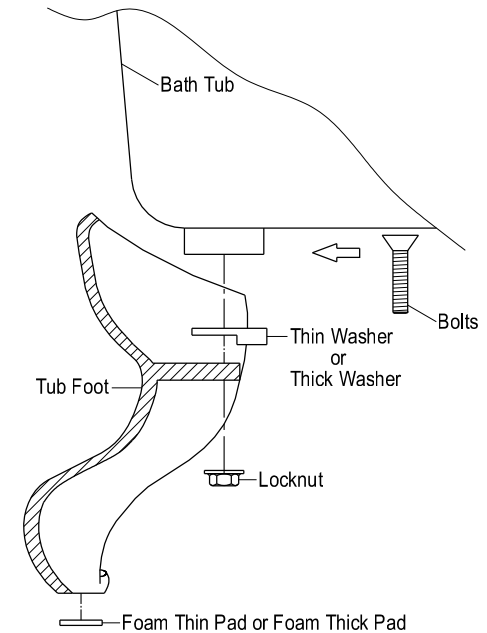
Parts:

Bolts & Lock Nut	Washer	Foam Thick Pad	Foam Thin Pad
			
4 Pcs	2 Pcs	4 Pcs	8 Pcs

www.kingstonbrass.com
TOLL-FREE CUSTOMER SERVICE: 1-877-2-KBRASS
TECHNICAL SUPPORT E-mail: service@kingstonbrass.com
12775 Reservoir Street, Chino, CA91710

TOOLS REQUIRED:

Socket Set (including 5/8" & 9/16")
Rubber Mallet
Adjustable Wrench



Installation Steps:

- Step 1. Turn tub over and set on non-abrasive mat, insert pyramid bolts into the mounting slot at the bottom of the tub
- Step 2. If necessary, you may add the foam thick pad or thin pad for level adjustment when installing the tub leg.
- Step 3. Align the feet with the bolt, insert leg, washers and nut and tighten loosely, the legs are to be installed in the front side of the tub, (drain side) and the legs are to be installed in the back (side opposite drain side).
- Step 4. Adjust leg for proper fit, it might be necessary to tap with rubber mallet to insure a good position.
- Step 5. Retighten bolts
- Step 6. When all four legs have been installed, turn tub over carefully as not to damage the finish.
- Step 7. If tub wobbles, adjust leg by raising or lowering leg adjustment bolt at the bottom of each leg.
- Step 8. Apply cushions to the bottom of each leg. (included in your installation package)

Cleaning

Clean with a damp cloth only.
Avoid using metal or abrasive polishes.