

# KALLISTA®

Vice™ by KALLISTA  
Single Control trim with diverter, crank handle  
P34605-BAF

## Features

- High-quality metal construction for durability and reliability
- Maintains water temperature within +/-3 degrees Fahrenheit
- Features a high-temperature-limit stop to help prevent scalding
- Required rough-in sold separately

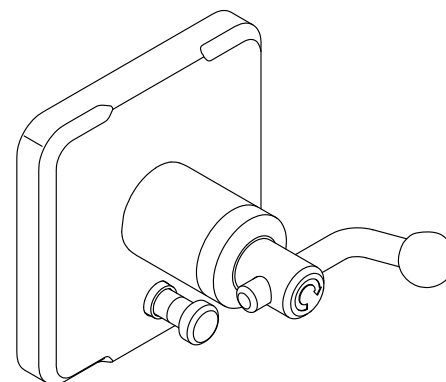
## Required Products/Accessories

P29305-00 Pressure Balance Rough-In Assembly with Diverter

or

P29305-WS Pressure Balance Rough-In Assembly with Stops and Diverter

## Recommended Products/Accessories



**ADA**

**CSA B651**

**OBC**

## Codes/Standards

ASME A112.18.1/CSA B125.1

ADA

ICC/ANSI A117.1

CSA B651

OBC

## KALLISTA® Five-Year Limited Warranty

See website for detailed warranty information.

---

1-888-4-KALLISTA (1-888-452-5547)

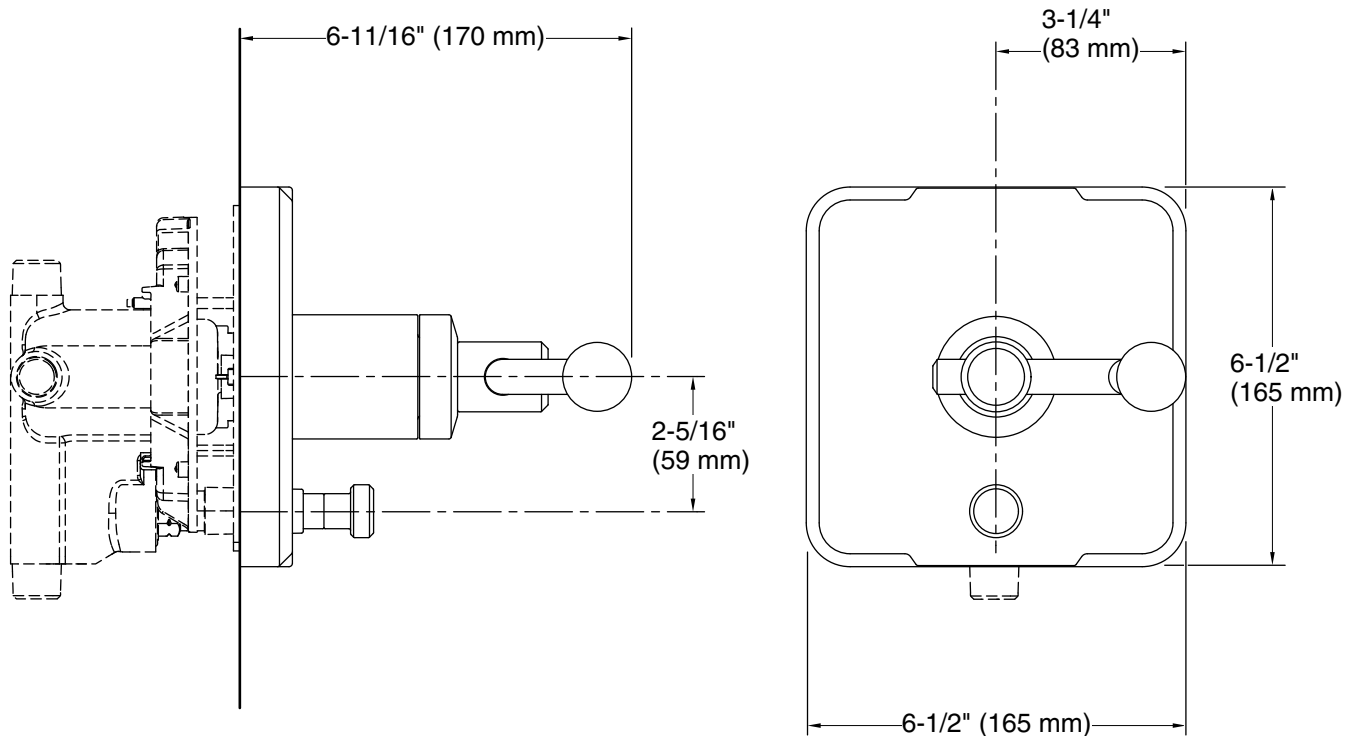
Kallista reserves the right to make revisions without notice to product specifications.

For the most current Specification Sheet, go to [www.kallista.com](http://www.kallista.com).

10-14-2025 13:30 - US/CA

# KALLISTA

Vice™ by KALLISTA  
Single Control trim with diverter, crank handle  
P34605-BAF



## Technical Information

All product dimensions are nominal.

## Notes

Install this product according to the installation instructions.

ADA, OBC, CSA B651 compliant when installed to the specific requirements of these regulations.