

Features

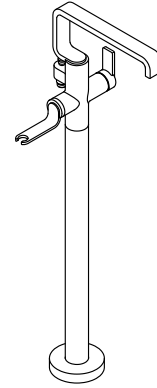
- High-quality solid metal construction for durability and reliability
- Floor-mount, single hole installation
- Required mounting block sold separately (P20511-00-NA)
- Required handshower sold separately
- Includes integral valve
- Includes hardware kit and escutcheon

Required Products/Accessories

P20511-00

Recommended Products/Accessories

P50206-00 Freestanding Bathtub
P34231-LV Sink Faucet, Lever Handles
P34242-LV Thermostatic trim, lever handle
P34243-LV Transfer trim, lever handle
P34244-LV Volume control trim, lever handle



Codes/Standards

ASME A112.18.1/CSA B125.1

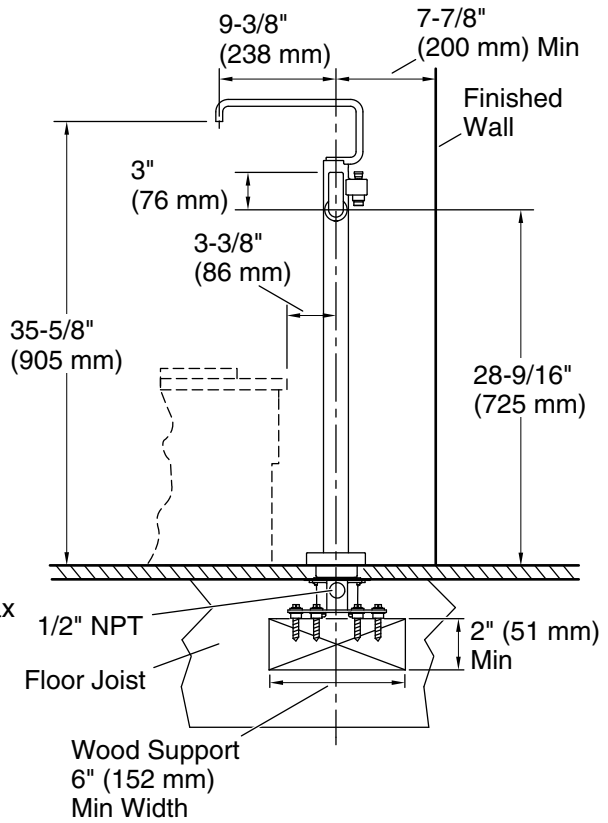
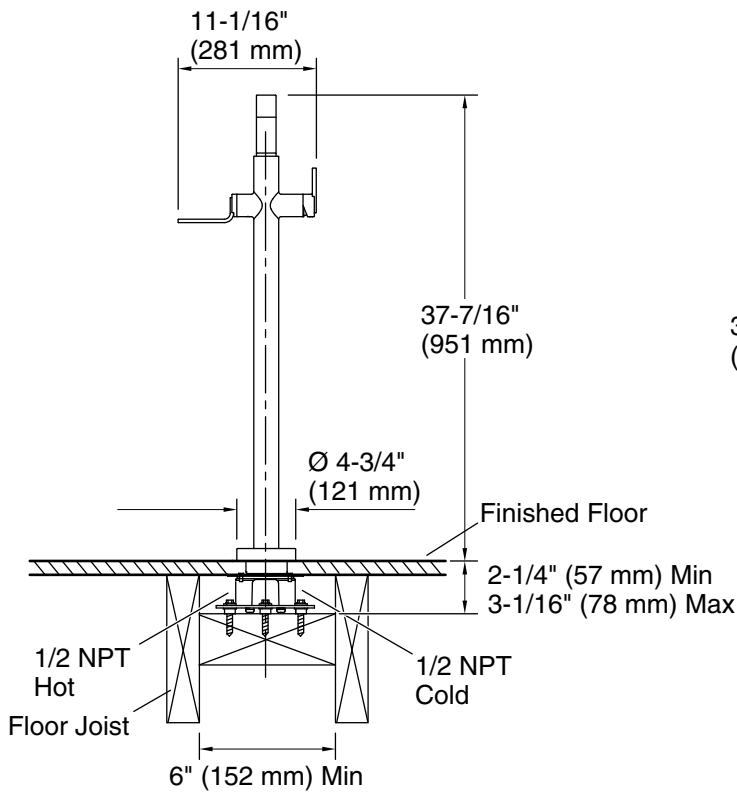
KALLISTA® Five-Year Limited Warranty

See website for detailed warranty information.

Available Colors/Finishes

Color tiles intended for reference only.

Color	Code	Description
	CP	Polished Chrome
	BN	Brushed Nickel
	SN	Polished Nickel
	BAF	Brushed French Gold
	PGP	Polished Graphite



Technical Information

All product dimensions are nominal.

Faucet flow rate: 1.2 gal/min (4.5 l/min)

Drain included: No

Spout:

Spout reach: 9-3/8" (238 mm)

Notes

Install this product according to the installation instructions.