

KALLISTA®

Guise™ by KALLISTA Volume control trim, lever handle P34244-LV

Features

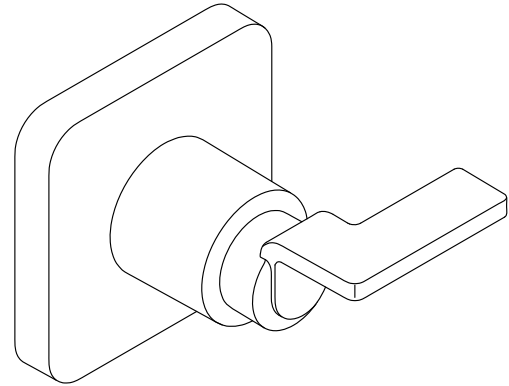
- High-quality metal construction for durability and reliability
- Offers a customizable shower experience
- Required rough-in sold separately

Required Products/Accessories

- P29528-00 3/4" Volume Control Rough-In Assembly
or
P29527-00 1/2" Volume Control Rough-In Assembly

Recommended Products/Accessories

- P34231-LV Sink Faucet, Lever Handles
P34238-LV Freestanding Bath Faucet, Less Handshower
P34242-LV Thermostatic trim, lever handle
P34243-LV Transfer trim, lever handle
P34246-00 Towel Bar, 24"



ADA **CSA B651** **OBC**

Codes/Standards






ASME A112.18.1/CSA B125.1
ADA
ICC/ANSI A117.1
CSA B651
OBC

KALLISTA® Five-Year Limited Warranty

See website for detailed warranty
information.

Available Colors/Finishes

Color tiles intended for reference only.

| Color | Code | Description |
|---|------|---------------------|
|  | CP | Polished Chrome |
|  | BAF | Brushed French Gold |
|  | BN | Brushed Nickel |
|  | SN | Polished Nickel |
|  | PGP | Polished Graphite |

1-888-4-KALLISTA (1-888-452-5547)

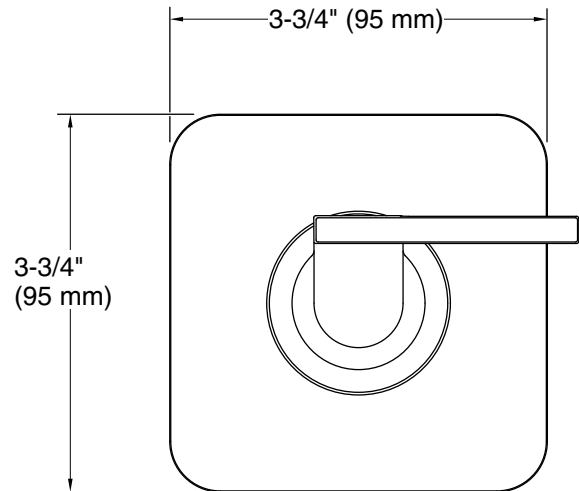
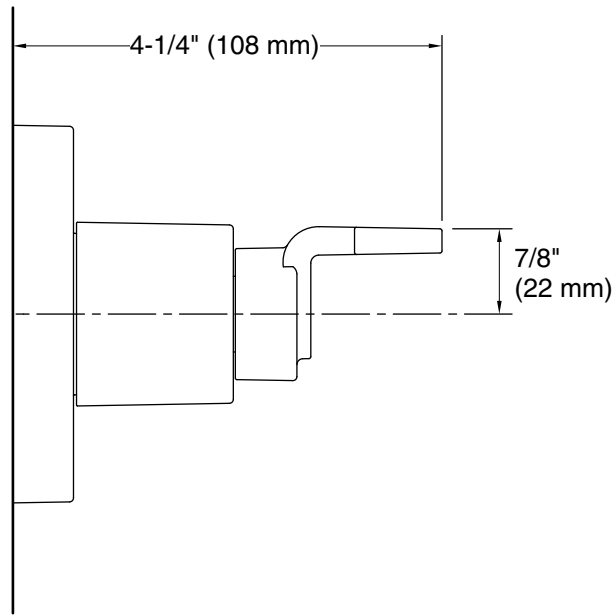
Kallista reserves the right to make revisions without notice to product specifications.

For the most current Specification Sheet, go to www.kallista.com.

2-16-2025 20:25 - US

KALLISTA®

Guise™ by KALLISTA
Volume control trim, lever handle
P34244-LV



Technical Information

All product dimensions are nominal.

Drain included: No

Notes

Install this product according to the installation instructions.

ADA, OBC, CSA B651 compliant when installed to the specific requirements of these regulations.