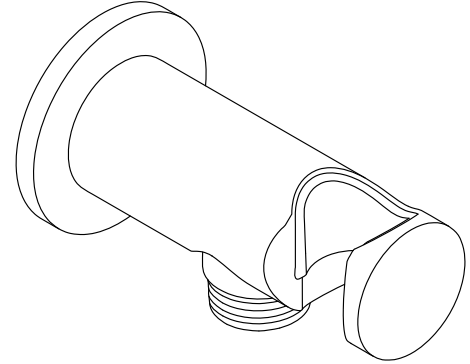


## Features

- High-quality solid-brass construction for durability and reliability
- Integrated supply and holder
- 1/2" NPT connection
- For use with a handshower (sold separately)

## Recommended Products/Accessories

P32964-00 Modern Round Handshower with Hose



## Codes/Standards



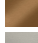
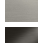



ASME A112.18.1/CSA B125.1

## KALLISTA® Five-Year Limited Warranty

See website for detailed warranty information.

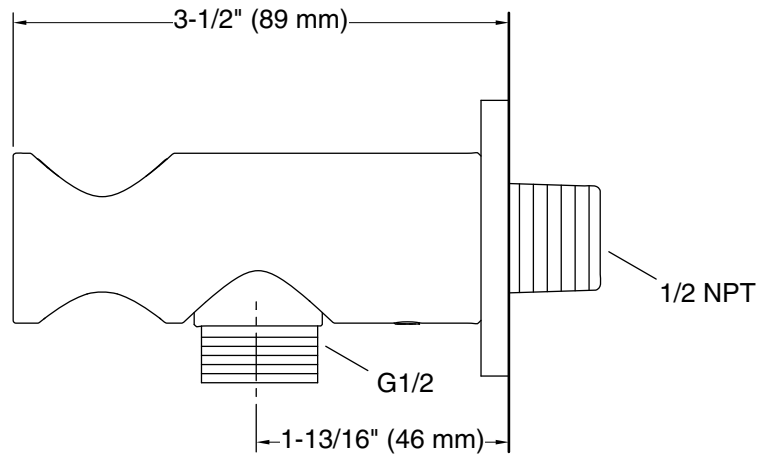
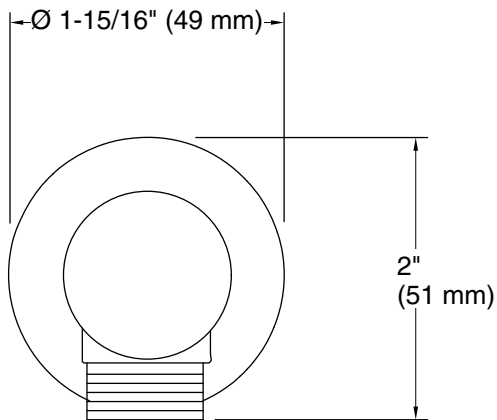
## Available Colors/Finishes

*Color tiles intended for reference only.*

Color	Code	Description
	CP	Polished Chrome
	BL	Matte Black
	BLH	Blush Brass
	BN	Brushed Nickel
	BGP	Brushed Graphite
	2MB	Brushed Moderne Brass
	PGP	Polished Graphite

# KALLISTA

Foundations by KALLISTA  
Modern Round Wall Bracket with Integrated  
Supply  
P33386-00



**Technical Information**  
All product dimensions are nominal.

**Notes**  
Install this product according to the  
installation instructions.

---

1-888-4-KALLISTA (1-888-452-5547)

Kallista reserves the right to make revisions without notice to product specifications.

For the most current Specification Sheet, go to [www.kallista.com](http://www.kallista.com).

3-19-2025 20:52 - US/CA