

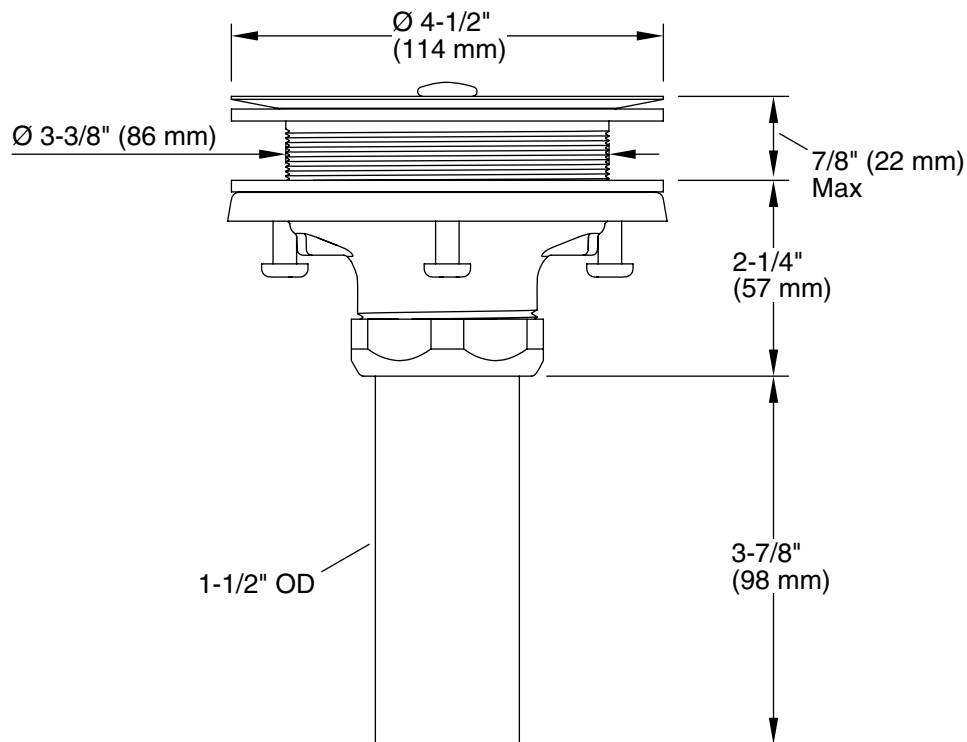
FEATURES

- Solid brass construction for durability and reliability
- Extra durable finish for high-traffic environment
- Removable basket strainer with open/close stopper
- Includes tailpiece
- Complements Kallista sinks and faucets

CODES/STANDARDS APPLICABLE

Specified model meets or exceeds the following:

- ASME A112.18.2/CSA B125.2



SPECIFIED MODEL					
Model	Description	Finishes			
P34000-00	Kitchen Sink Strainer	<input type="checkbox"/> CP Polished Chrome	<input type="checkbox"/> AD Nickel Silver	<input type="checkbox"/> AG Brushed Nickel	<input type="checkbox"/> GN Gunmetal
		<input type="checkbox"/> W7 Black Nickel	<input type="checkbox"/> SN Polished Nickel	<input type="checkbox"/> VS Stainless	

We reserve the right to make revisions without notice in the design of products or in packaging unless this right has specifically been waived at the time the order is accepted.