

# KALLISTA®

## One™ by KALLISTA Sink Faucet, Tall Spout, Cross Handles P24492-CR

### Features

- A selection of products within this collection is in stock and ready to ship. Please visit [kallista.com/readytoship](http://kallista.com/readytoship) for the complete list of Ready-to-Ship products and finishes
- High-quality solid-brass construction for durability and reliability
- Widespread sink faucet for 8" – 16" (203 – 406 mm) centers
- 1.2 gpm (4.5 lpm) maximum flow rate
- Spout reach is 5-5/16" (135 mm)
- Includes soft-touch drain
- Laminar flow
- Lift rod option available for projects

### Recommended Products/Accessories

P74234-WO Under-mount Sink, Soft Rectangle with Overflow, Glazed  
P24409-00 Single-control sink faucet  
P34410-00 Towel Ring  
P34407-00 Disc Hook



**ADA** **CSA B651** **OBC**

### Codes/Standards

ASME A112.18.1/CSA B125.1  
NSF/ANSI/CAN 61  
NSF/ANSI/CAN 372  
DOE - Energy Policy Act 1992  
EPA WaterSense®  
California Energy Commission (CEC)  
ADA  
ICC/ANSI A117.1  
CSA B651  
OBC

### KALLISTA® Five-Year Limited Warranty

See website for detailed warranty information.

### Available Colors/Finishes

*Color tiles intended for reference only.*

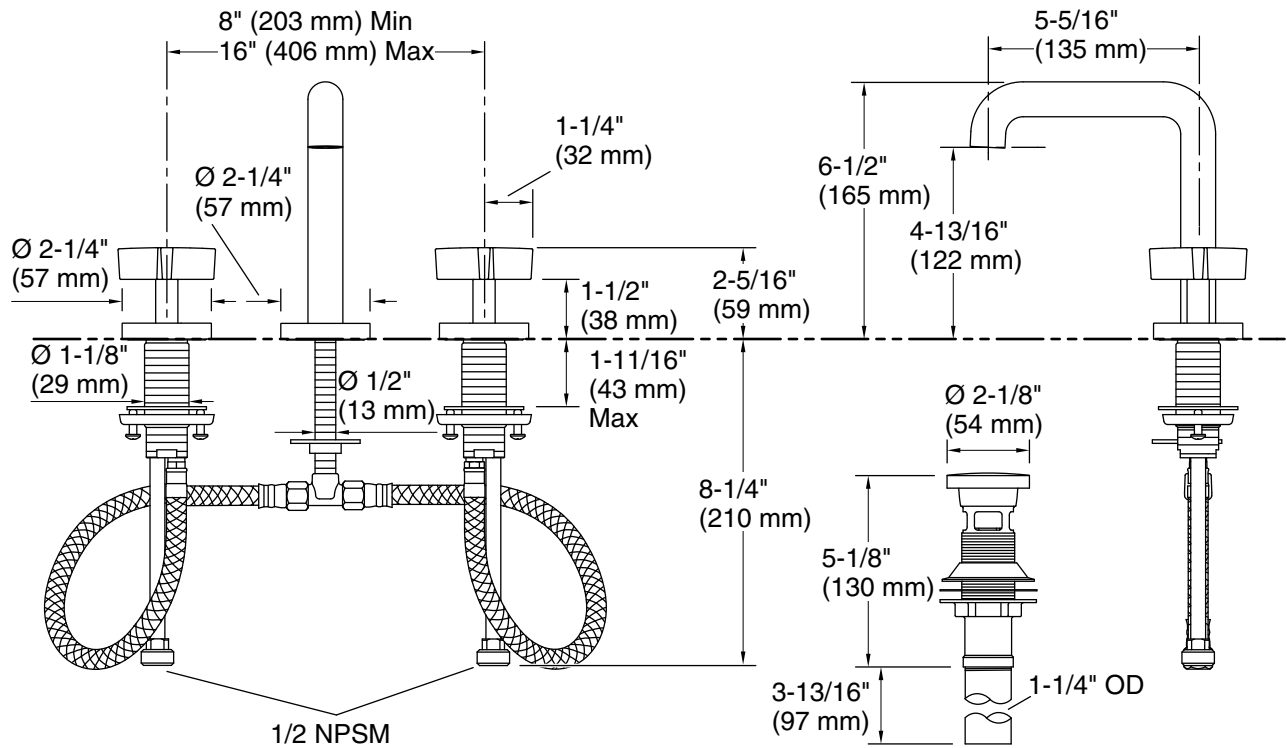
Color	Code	Description
	CP	Polished Chrome
	GN	Gunmetal
	BL	Matte Black
	ULB	Unlacquered Brass
	BAF	Brushed French Gold
	BGP	Brushed Graphite
	BN	Brushed Nickel

1-888-4-KALLISTA (1-888-452-5547)

Kallista reserves the right to make revisions without notice to product specifications.

For the most current Specification Sheet, go to [www.kallista.com](http://www.kallista.com).

2-15-2025 21:45 - US/CA



## Technical Information

All product dimensions are nominal.

Faucet flow rate: 1.2 gal/min (4.5 l/min)

Drain included: Yes

Drain with overflow: Yes

## Spout:

Spout reach: 5-5/16" (135 mm)

## Pressure/fixture Supply Requirements

Min flow rate: 1.2 gpm (4.5 lpm)

## Notes

ADA, OBC, CSA B651 compliant when installed to the specific requirements of these regulations.