

KALLISTA®

One™ by KALLISTA
Single-control sink faucet
P24409-00

Features

- A selection of products within this collection is in stock and ready to ship. Please visit kallista.com/readytoship for the complete list of Ready-to-Ship products and finishes
- High-quality solid-brass construction for durability and reliability
- Single-hole installation
- 1.2 gpm (4.5 lpm) maximum flow rate
- Spout reach is 6-3/8" (162 mm)
- Includes soft-touch drain
- Dual application allows for bathroom use or as bar faucet

Recommended Products/Accessories

P74234-WO Under-mount Sink, Soft Rectangle with Overflow, Glazed
P24491-CR Sink Faucet, Low Spout, Cross Handles
P34401-00 Towel Bar, 24"
P34407-00 Disc Hook



ADA **CSA B651** **OBC**

Codes/Standards

ASME A112.18.1/CSA B125.1
NSF/ANSI/CAN 61
NSF/ANSI/CAN 372
DOE - Energy Policy Act 1992
EPA WaterSense®
California Energy Commission (CEC)
ADA
ICC/ANSI A117.1
CSA B651
OBC

KALLISTA® Five-Year Limited Warranty

See website for detailed warranty information.

Available Colors/Finishes

Color tiles intended for reference only.

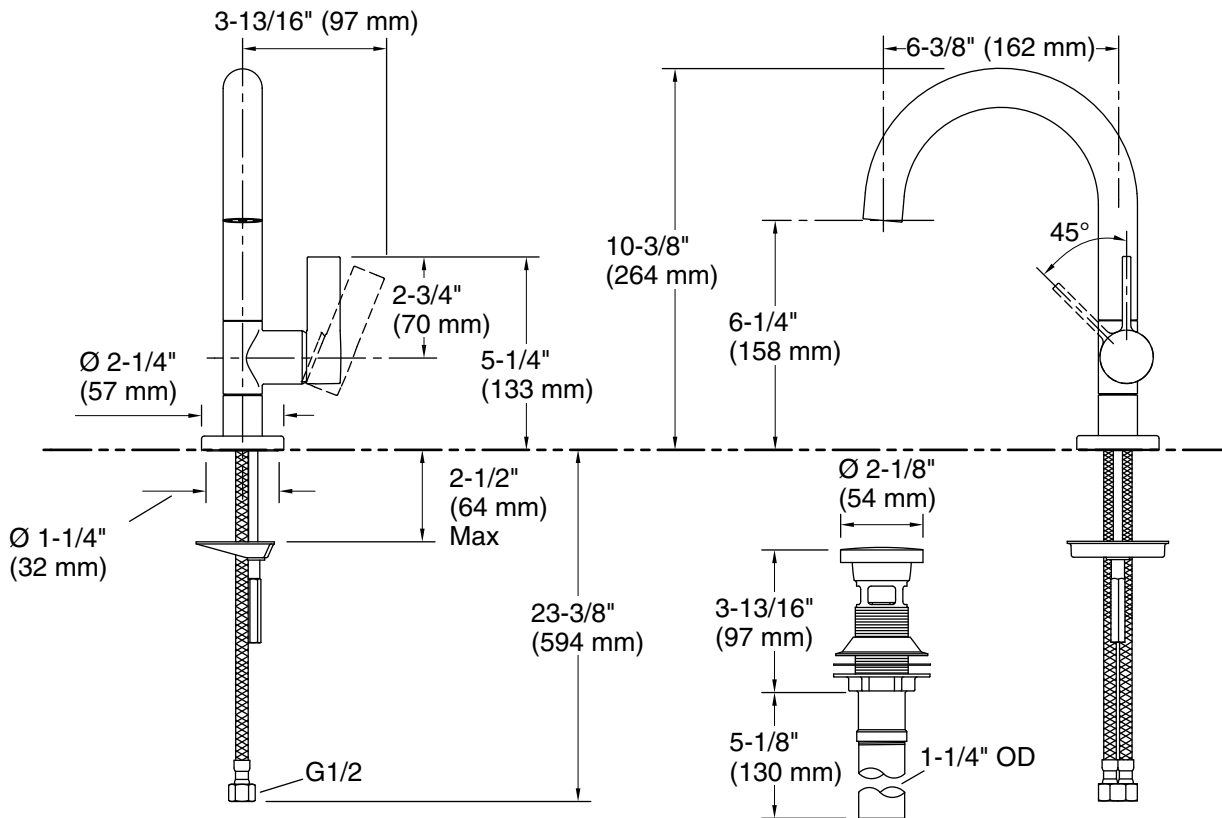
Color	Code	Description
	AD	Nickel Silver
	CP	Polished Chrome
	AG	Brushed Nickel
	GN	Gunmetal
	BL	Matte Black
	ULB	Unlacquered Brass
	BAF	Brushed French Gold

1-888-4-KALLISTA (1-888-452-5547)

Kallista reserves the right to make revisions without notice to product specifications.

For the most current Specification Sheet, go to www.kallista.com.

2-20-2025 21:40 - US



Technical Information

All product dimensions are nominal.

Faucet flow rate: 1.2 gal/min (4.5 l/min)

Drain included: Yes
Drain with overflow: Yes

Spout:

Spout reach: 6-3/8" (162 mm)

Pressure/fixture Supply Requirements

Min flow rate: 1.2 gpm (4.5 lpm)

Notes

ADA, OBC, CSA B651 compliant when installed to the specific requirements of these regulations.