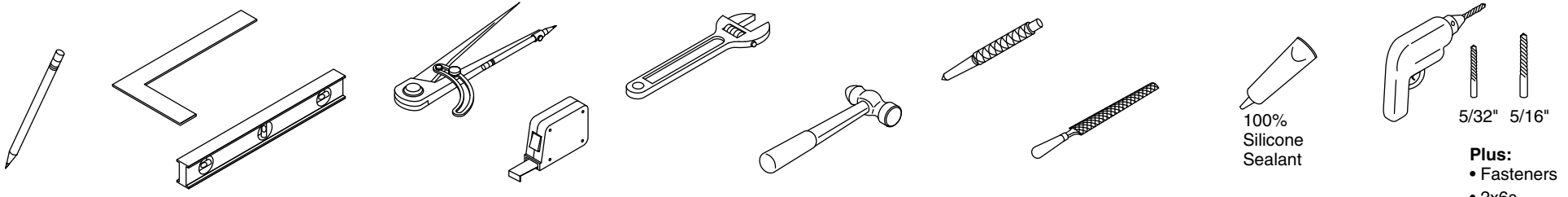


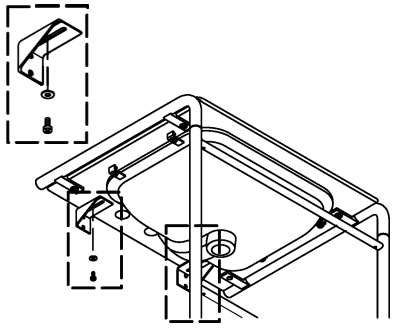
KALLISTA®

Installation Guide

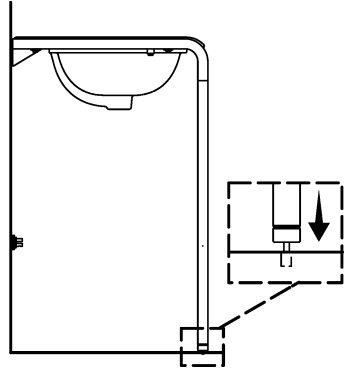


<p>Record your model number.</p>	<p>⚠ CAUTION: Risk of personal injury. Product can break, chip, and cause injury if handled carelessly. Get help lifting the sink.</p>	<p>Instructions are for installation to wood frame construction. For other installations, use bracing and fasteners of sufficient size and strength.</p>	<p>1 Install 2x6 backing behind the finished wall.</p>	<p>2 Mark the centerline on the floor and wall.</p>
<p>3 Mark the floor where shown. Drill two 5/16" (8 mm) holes 1/2" (13 mm) deep.</p>	<p>4 Position the tops of the brackets 34" (864 mm) from the finished floor. Mark the bracket holes on the wall.</p>	<p>5 Position the glass shelf brackets 12" (305 mm) from the finished floor. Mark the bracket holes on the wall.</p>	<p>6 Drill 5/32" pilot holes. Level and secure the mounting brackets with the appropriate fasteners.</p>	<p>7 If using the provided anchors drill 15/64" pilot holes. Level and secure the glass mounting brackets with the appropriate fasteners.</p>
<p>8 Using a compass, locate and draw an outline of the faucet holes on the stone top.</p>	<p>9 Position a punch in the center of the marked hole. Gently tap the punch with a hammer.</p>	<p>10 Use the punch and a file to enlarge the hole as needed.</p>	<p>11 Generously apply 100% silicone sealant around the rim of the sink.</p>	<p>12 Place the stone top upside down. Install the four clips with the screws and washers provided.</p>
<p>13 Position the sink over the hole.</p>	<p>14 Loosen the screws to rotate the clips over the rim. Tighten the screws. Do not overtighten! Wipe away excess sealant.</p>	<p>15 Use a hex wrench to secure the L-shaped leg to the straight leg with the adapter and screw provided. Repeat for the other leg.</p>	<p>16 Secure the towel bar tube with the adapter and screw provided. Repeat with the other tube.</p>	<p>17 Secure the console legs onto the stone top with the screws provided.</p>

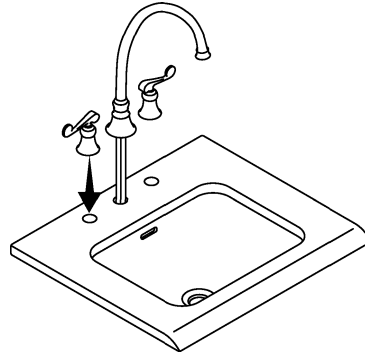
18 Place the stone top and legs onto the support brackets. Provide a 1/4" (6 mm) gap between the wall and stone top. Secure with the screws provided.



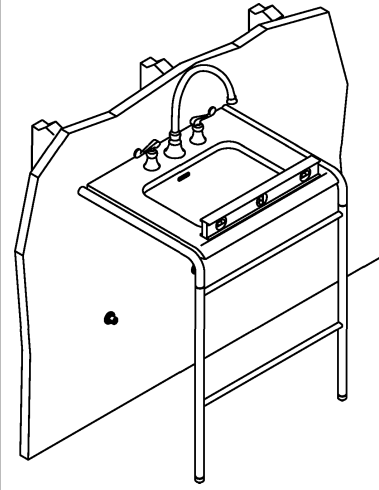
19 Insert the leg pegs into the holes on the floor.



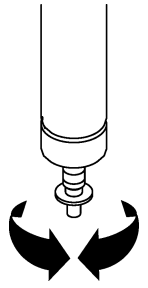
20 Install the faucet according to the manufacturers instructions.



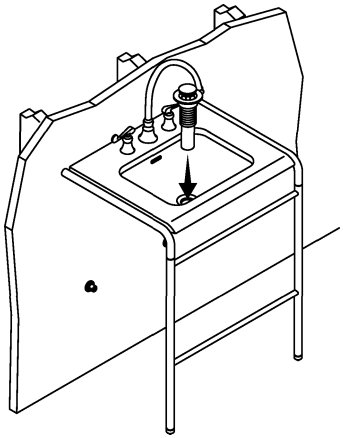
21 Verify that the table is level.



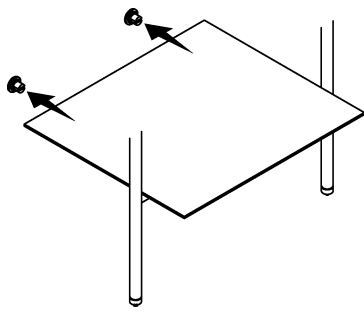
22 Thread or unthread the pegs at the bottom of the legs to adjust the leg height.



23 Install the drain according to the manufacturers instructions.



24 Slide the glass shelf onto the lower towel bar. Verify that it is seated in the glass shelf brackets. Secure with the setscrew provided.



25 Make the final faucet and drain connections. Check for leaks.

