

---

## INSTALLATION INSTRUCTIONS






P34024W

## INSTALLATION INSTRUCTIONS

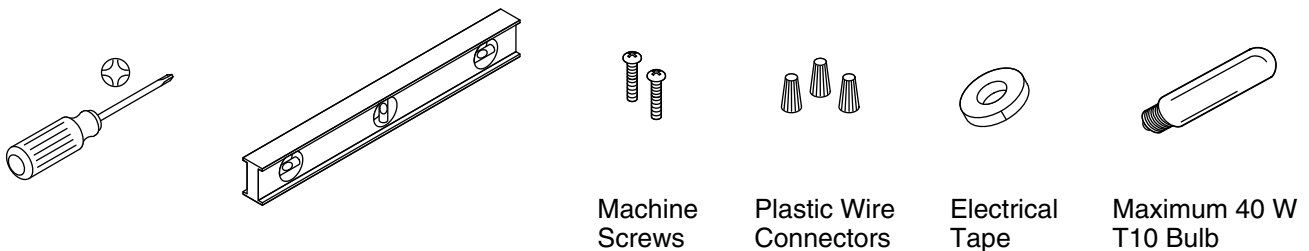
## THANK YOU FOR CHOOSING KALLISTA

We appreciate your commitment to KALLISTA quality products. Please take a moment to review this manual before you install your KALLISTA product. If you encounter any installation or performance problems, please do not hesitate to contact us at the phone number listed at the bottom of the page.

## BEFORE YOU BEGIN

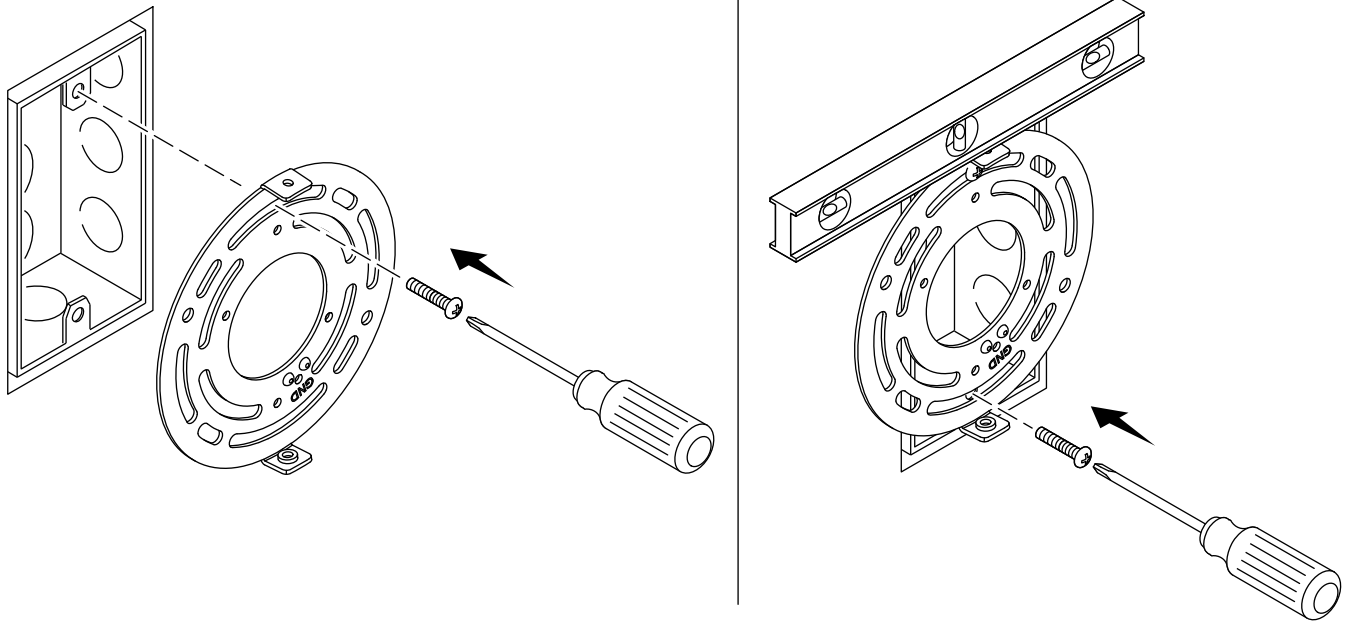
-  **DANGER: Risk of electric shock.** To avoid electrical shock, the electricity must be turned off at the circuit breaker or fuse box before beginning installation.
-  **DANGER: Risk of electric shock.** To avoid electrical shock, the outlet box must be properly grounded.
-  **CAUTION: Risk of property damage.** To avoid the risk of fire, this fixture has been rated for bulbs up to 40 watts. Do not exceed this rating.
- Observe all local electrical and building codes.
- Please read all instructions before you begin.
- The fixture should be installed by a qualified electrician.
- This fixture is for indoor use only, and is rated at 25°C (77°F) ambient temperature.
- For installations using a terminal box, make sure the terminal box is rated for 240 V.
- KALLISTA reserves the right to make revisions in the design of products without notice, as specified in the Price Book.

## TOOLS AND MATERIALS



## INSTALLATION INSTRUCTIONS

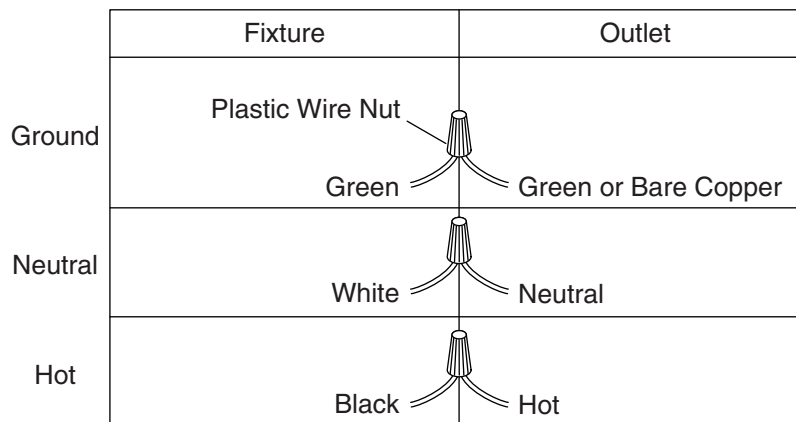
## 1. INSTALL THE MOUNTING PLATE



- Loosely attach the sconce mounting plate to the outlet box at the top mounting hole.
- Position a level on the top flange of the mounting plate.
- Once the mounting plate is level, tighten the top screw and thread in the bottom screw.

## INSTALLATION INSTRUCTIONS

## 2. CONNECT THE WIRES



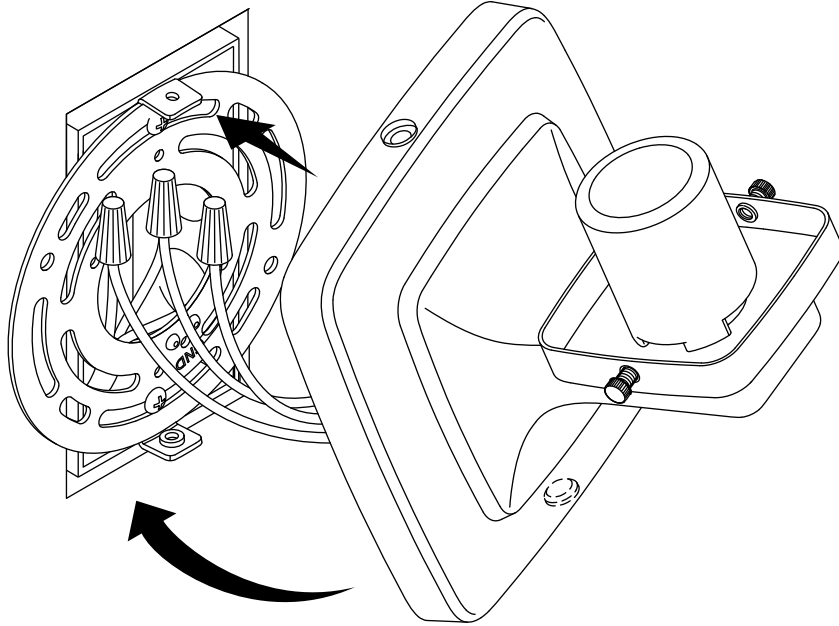
**⚠ DANGER: Risk of electric shock.** To avoid electrical shock, the electricity must be turned off at the circuit breaker or fuse box before beginning installation.

**⚠ DANGER: Risk of electric shock.** To avoid electrical shock, the outlet box must be properly grounded.

- If you have not already done so, turn off the electricity at the circuit breaker or fuse box.
- Attach the green ground wire from the fixture to the ground wire (green or bare copper) of the outlet box.
- Fasten the ground wires together with a plastic wire nut and wrap with electrical tape.
- Attach the neutral wire (white) from the fixture to the neutral wire (usually white) of the outlet box.
- Fasten the neutral wires together with a plastic wire nut and wrap with electrical tape.
- Attach the hot wire (black) from the fixture to the hot wire (usually black) of the outlet box.
- Fasten the hot wires together with a plastic wire nut and wrap with electrical tape.
- Verify all plastic wire nuts are securely fastened and wire strands are not exposed.

## INSTALLATION INSTRUCTIONS

## 3. INSTALL THE SCONCE

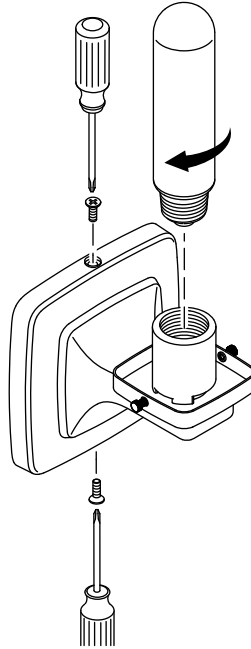


**NOTE:** As you are positioning the sconce body onto the sconce mounting plate, carefully tuck the wiring into the outlet box.

- ☐ Position the sconce body over the mounting plate so the sconce is flush with the finished wall.

## INSTALLATION INSTRUCTIONS

## 4. SECURE THE SCONCE

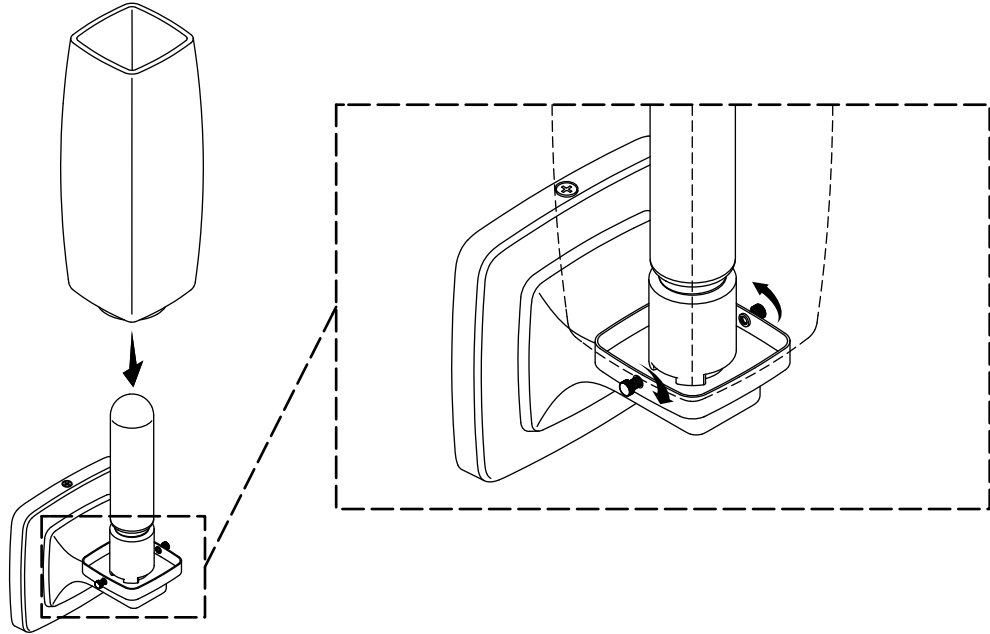


**CAUTION: Risk of property damage.** To avoid the risk of fire, this fixture has been rated for bulbs up to 40 watts. Do not exceed this rating.

- Secure the sconce to the mounting plate with two screws.
- Install the light bulb in the sconce.

## INSTALLATION INSTRUCTIONS

## 5. INSTALL THE SHADE



- Lower the shade into place over the light bulb.
- To secure the shade, hand-tighten the screws on either side of the shade base.