

FEATURES

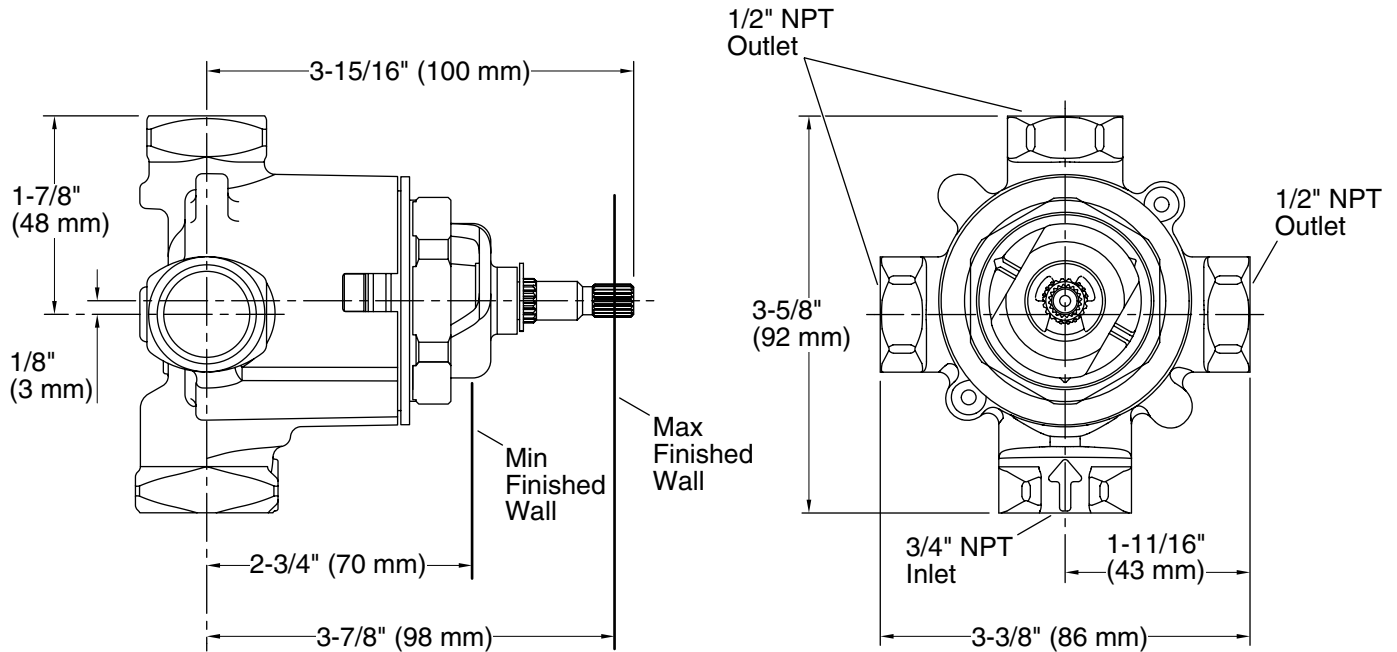
- Brass valve body
- Wall-mount installation
- Selection of one or combination of two outlets
- Single-handle control
- One 3/4" NPT inlet connection
- Three 1/2" NPT outlet connections
- Can be converted from 3 outlets (360° handle rotation) to 2 outlets (120° handle rotation)
- Using 1 outlet: 18.0 gal/min (68.1 l/min) maximum flow rate at 45 psi (310.3 kPa);
- Using 2 outlets: 20.8 gal/min (78.7 l/min) maximum flow rate at 45 psi (310.3 kPa)

CODES/STANDARDS APPLICABLE

Specified model meets or exceeds the following:

- ASME A112.18.1/CSA B125.1

P29513



SPECIFIED MODEL

Model	Description	Finishes
P29513-00	3-way/2-way Transfer Valve	<input type="checkbox"/> NA

We reserve the right to make revisions without notice in the design of products or in packaging unless this right has specifically been waived at the time the order is accepted.