

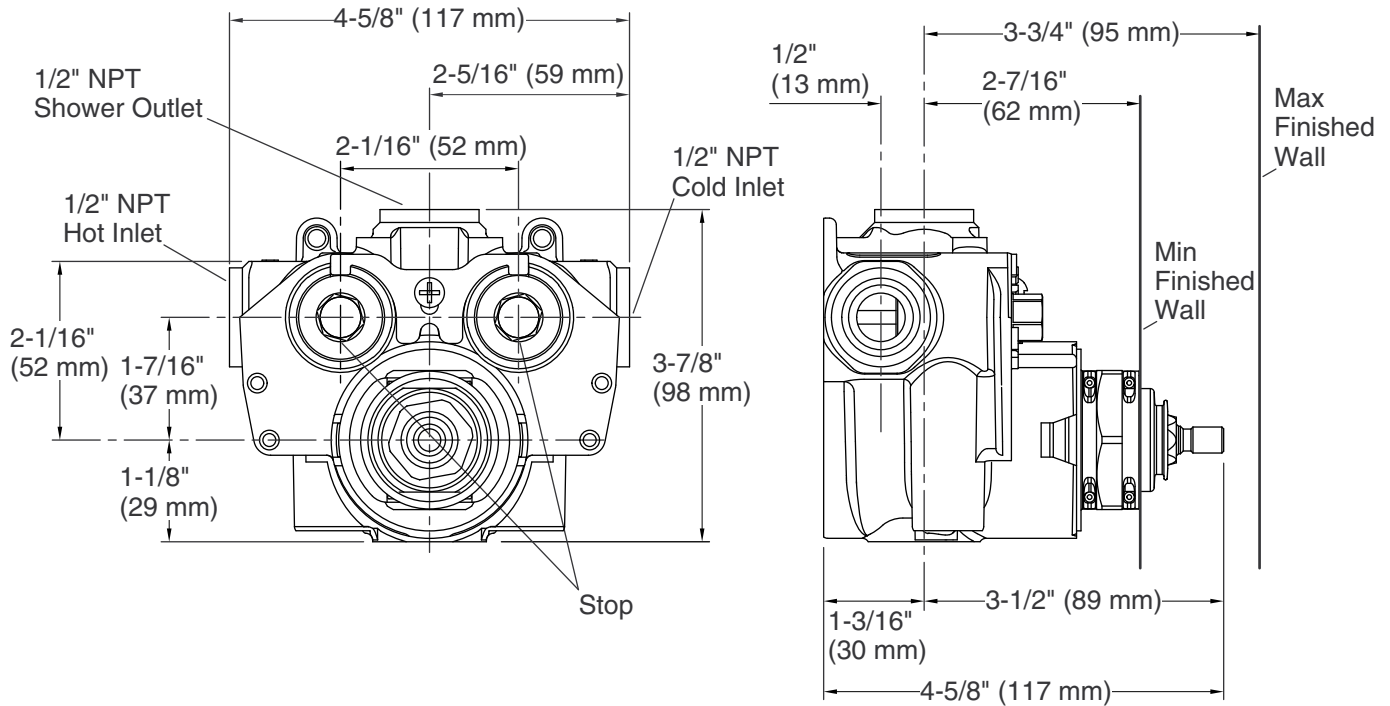
FEATURES

- Forged brass valve body
- Single-handle temperature control
- High-temperature limit stop for added safety
- Temperature-balancing mechanism
- Scald hazard prevention
- Integral stops
- Crossflow prevention
- Filter screens
- Single outlet
- Less volume control

CODES/STANDARDS APPLICABLE

Specified model meets or exceeds the following:

- WRAS Compliant



SPECIFIED MODEL		
Model	Description	Finishes
P29511W-WS	1/2" Thermostatic Mixer Valve	<input type="checkbox"/> NA
Required Accessories		
P29527W-00	1/2" Volume Control Valve - for use on bath or shower outlets	<input type="checkbox"/> NA
Required Adapter Kits		
1187506	1/2" Showering Kit (2 Required) OR	<input type="checkbox"/> NA
1265115	1/2" BSP Adapter Kit (1 Required)	<input type="checkbox"/> NA

We reserve the right to make revisions without notice in the design of products or in packaging unless this right has specifically been waived at the time the order is accepted.