

Installation Guide

Kitchen Faucet with Water Filtration Option

KALLISTA.

1395074-2-A

Tools and Materials



Adjustable
Wrench



Phillips
Screwdriver

Before You Begin



CAUTION: Risk of property damage. Do not install the unit where the temperature may drop below freezing, may be exposed to direct sunlight, or may be exposed to heat.



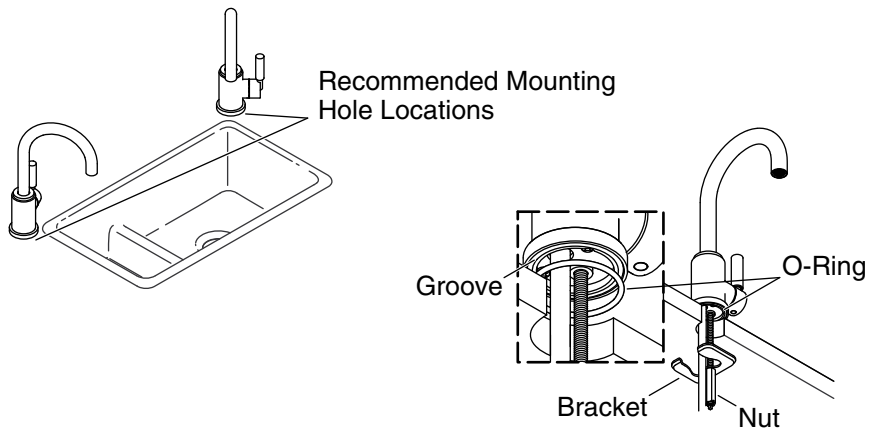
CAUTION: Risk of personal injury or property damage. Use caution when installing near water pipes or electrical lines.

NOTE: The faucet body may be positioned at any location around the sink. It is recommend that the faucet body be located at 45 degrees to the front of the sink.

NOTE: This faucet requires a water filtration system.

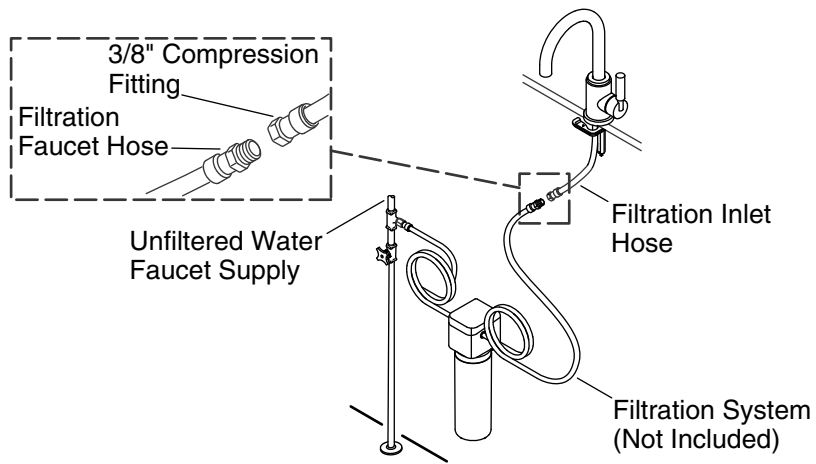
NOTE: KOHLER brand K-77685 and K-77686 models are compatible with this faucet.

- Observe all local plumbing and building codes.
- Shut off the water supply.
- Inspect the tubing for any sign of damage. Replace if necessary.
- If possible, install this faucet before installing the sink.
- This product is not for use with instant hot water systems.



1. Install the Faucet Body

- Determine the mounting hole location based on the user's preference. We recommend the faucet body be located at 45 degrees to the front of the sink.
- Drill a 1-5/16" (33 mm) hole through the mounting surface according to the surface manufacturer's instructions.
- Install the O-ring into the groove in the bottom of the faucet body.
- Position the hoses and shank through the mounting hole, then properly position the faucet body.
- From underneath the sink, slide the bracket onto the shank.
- Thread the nut onto the shank to secure the faucet body to the mounting surface.
- Tighten with an adjustable wrench.



2. Connect the Supplies

NOTE: Although the water filtration system selected may differ from the one illustrated, the instructions still apply.

- Connect the filtration inlet hose to the filtration outlet hose of the water filtration system. Refer to the installation instructions packed with the water filtration system.
- Turn on the main water supply and check for leaks. Repair as needed.
- Run water through the system for several minutes to remove any air in the system.

1395074-2-A

1395074-2-A

1395074-2-A

USA/Canada: 1-888-4-KALLISTA

Fax: 1-888-272-3094

kallista.com

KALLISTA.

©2019 KALLISTA

1395074-2-A