

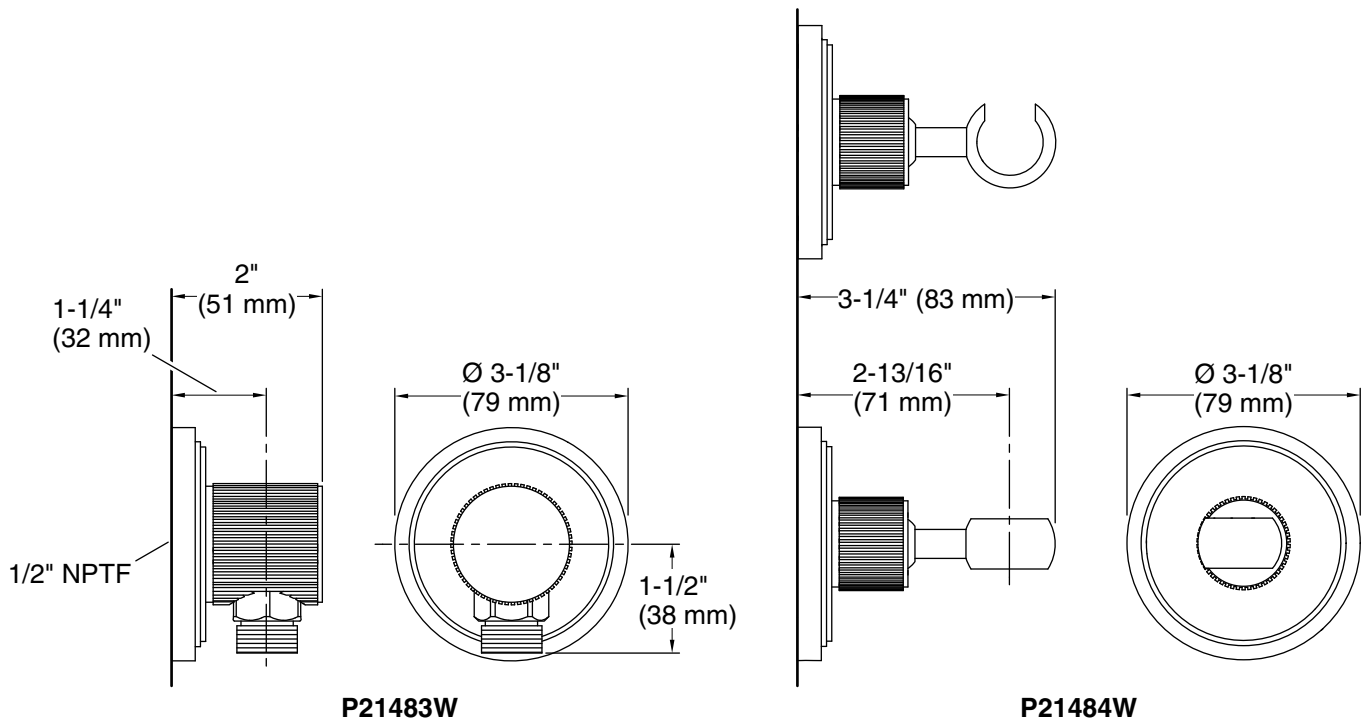
FEATURES

- Solid brass construction for durability and reliability
- Complements the Vir Stil collection

CODES/STANDARDS APPLICABLE

- Specified model meets or exceeds the following:
- WRAS Compliant

P21483W,
P21484W



SPECIFIED MODEL				
Model	Description	Finishes		
P21483W-00	Vir Stil Wall Supply Elbow	<input type="checkbox"/> CP Polished Chrome	<input type="checkbox"/> AD Nickel Silver	<input type="checkbox"/> AG Brushed Nickel <input type="checkbox"/> LB Bronze
P21484W-00	Vir Stil Wall Bracket	<input type="checkbox"/> CP Polished Chrome	<input type="checkbox"/> AD Nickel Silver	<input type="checkbox"/> AG Brushed Nickel <input type="checkbox"/> LB Bronze
Recommended Handshower				
P21489W-00	Vir Stil Handshower and Hose	<input type="checkbox"/> CP Polished Chrome	<input type="checkbox"/> AD Nickel Silver	<input type="checkbox"/> AG Brushed Nickel <input type="checkbox"/> LB Bronze
Required Adapter Kits				
1187506	1/2" Showering Kit (1 Required) OR	<input type="checkbox"/> NA		
1265117	1/2" BSP Adapter Kit (1 Required)	<input type="checkbox"/> NA		

We reserve the right to make revisions without notice in the design of products or in packaging unless this right has specifically been waived at the time the order is accepted.