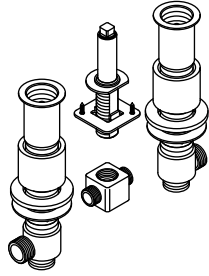


Installation Guide

3/4" Deep Rough-In High-Flow Valve System

P19303W



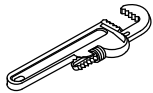
KALLISTA.

1194785-2-A

Thank You For Choosing Kallista

We appreciate your commitment to KALLISTA quality products. Please take a moment to review this manual before you install your KALLISTA product. If you encounter any installation or performance problems, please do not hesitate to contact us at the phone number listed on the back cover.

Tools and Materials



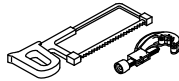
Pipe Wrench



Adjustable Wrench



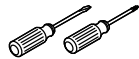
Strap Wrench



Hacksaw or Tubing Cutter

Plus:

- Wood Screws
- Rags



Assorted Screwdrivers



Plumbers Putty



Thread Sealant

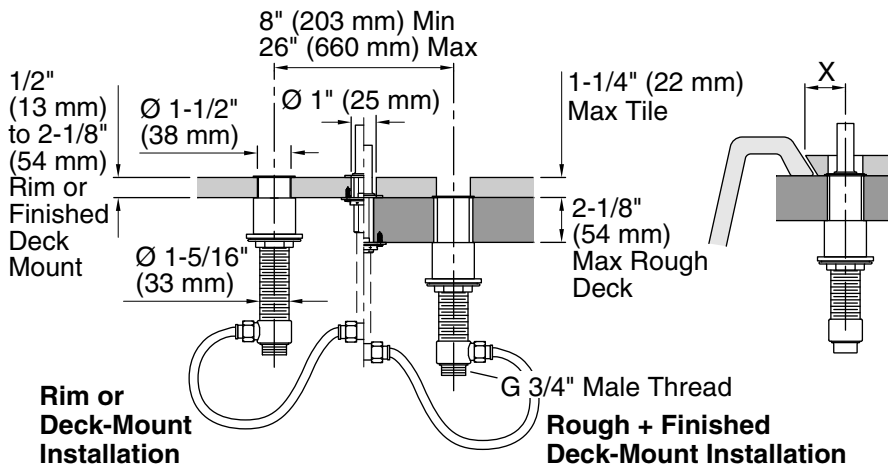
Before You Begin

NOTE: Instructions are given for installations with 8" (203 mm) centers. For wider installations, adjust all roughing-in dimensions and copper tube lengths accordingly.

- Observe all local plumbing and building codes.
- Shut off the water supply.
- Products purchased separately may change valve placement and alignment.
- These instructions cover two methods of installation: installation on finished deck or rim, and installation on rough (unfinished) deck. Follow the sections and directions that pertain to your installation.
- Provide an access panel to the valves for servicing.
- If desired, install water hammer arrestors in the supply lines near the valves.
- Plaster guard diameters are approximately 1-5/8" (41 mm) for the valve and 7/8" (22 mm) for the spout.
- The finished deck material must fit closely to the diameters of the plastic guards.

Before You Begin (cont.)

- Leave the protective sleeve on the spout supply tube until spout installation. This is an O-ring sealing surface which may be damaged when unprotected.
- Kallista reserves the right to make revisions in the design of faucets without notice, as specified in the Price Book.



1. Prepare the Site

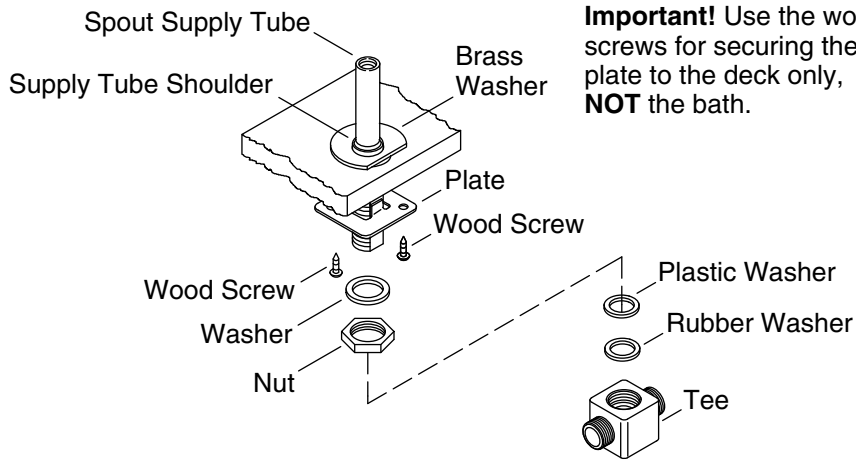
NOTE: Dimension "X" varies depending on the bath- or deck-mount faucet being installed. Dimension "X" = distance from the centerline of the spout inlet to the front of the spout base + 1/2" (13 mm).

- Install or relocate the water supplies as needed.
- Protect the surfaces of the bath/deck during installation.
- Ensure that holes drilled into the deck are not oversized. The spout and valves require adequate base material strength and maximum contact area with the deck.

NOTE: Reinforcing material may be required if the deck or rim is less than 1/2" (13 mm). Install 1/2" exterior grade plywood before proceeding.

NOTE: For installations to be covered with tile, the tile thickness must not exceed 1-1/4" (32 mm).

- The diameter of the spout hole should be 1-1/8" (29 mm) maximum. The diameter of the valve holes should be 1-1/2" (38 mm) maximum.

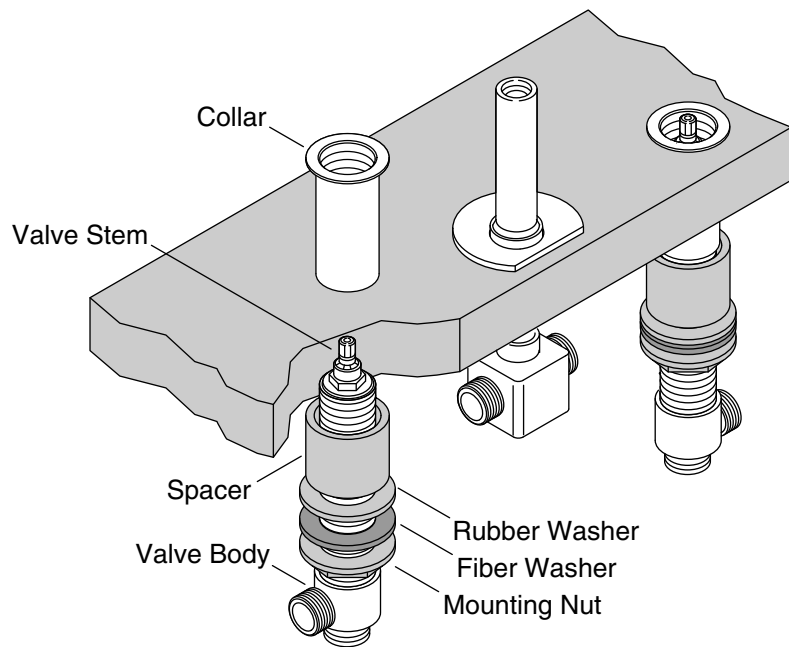


2. Install the Spout Supply Tube

NOTE: Leave the protective sleeve on the spout supply tube until the spout is installed.

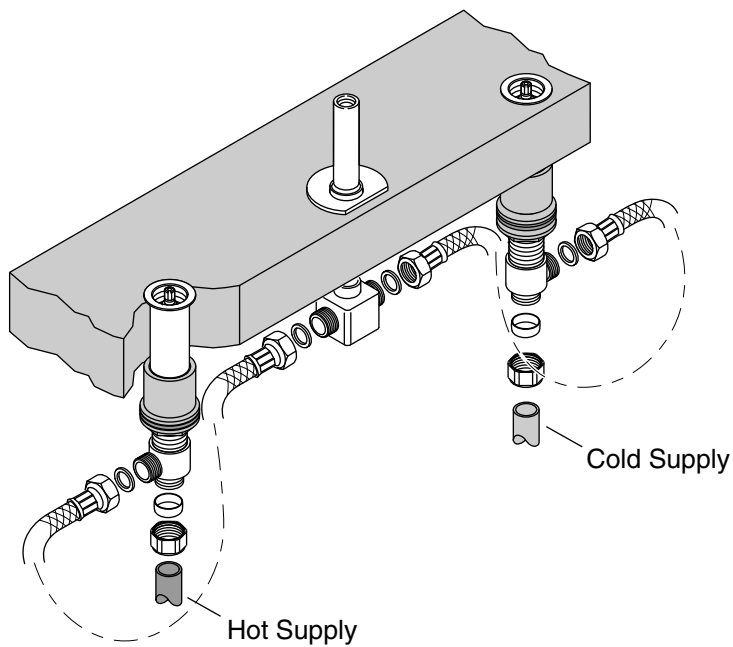
NOTE: The spout supply tube will be suspended by the brass washer.

- Position the brass washer with the flat portion facing toward the user and slide it up until it stops.
- Insert the spout supply tube through the mounting hole from the top of the deck/bath rim.
- With the countersunk holes facing up, slide the plate (positioned with the tabs toward the deck) and washer onto the spout supply tube from the bottom and thread on the nut.
- Tighten the nut.
- Secure the plate to the rough deck with two wood screws (not provided). Do not contact the bath with the wood screws.
- Install the washers and tee onto the spout supply tube.



3. Install the Valves

- Place a mounting nut with the flange facing up onto each valve body.
- Place a fiber washer and a rubber washer onto each valve body.
- If needed place a spacer onto each valve body .
- Place a collar sleeve onto each valve body.
- Insert the valve bodies through the mounting holes from the bottom of the deck/rim. The valve body marked "COLD" should be inserted on the right when facing the front of the faucet.
- Place a collar with the flange facing up onto each valve body.



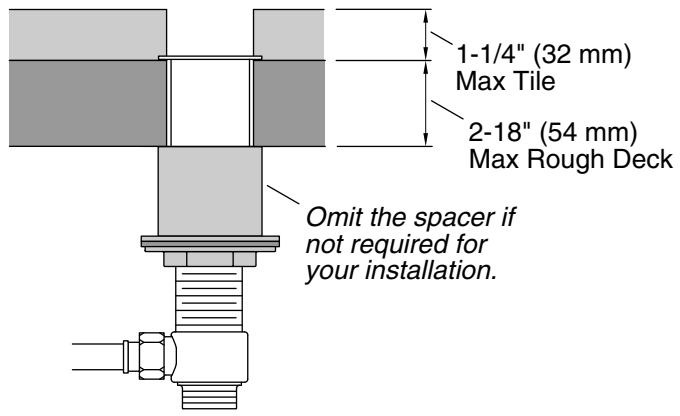
4. Connect the Hoses

- Tighten the mounting nuts on each valve body from underneath the deck/rim.
- Connect the flexible hoses to the valve bodies.

NOTE: Do not overtighten or kink the hoses.

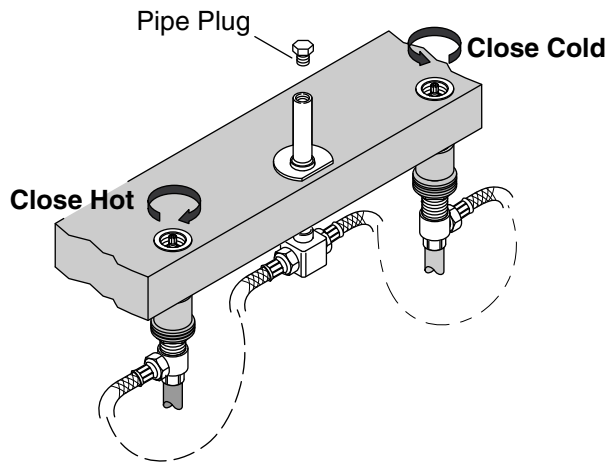
- Connect the other end of the flexible hoses to the tee.
- Connect the hot and cold water supplies. Make sure that the cold supply is on the right side.

Rough + Finished Deck Mount Installation



5. Adjust the Valves

- Adjust the valve bodies within the tolerances specified for the rough and finished deck mount application.



6. Complete the Installation

- Thread a 3/8" pipe plug into the top of the spout supply tube.
- Ensure the valves are closed. The cold valve must be turned fully counterclockwise. The hot valve must be turned fully clockwise.
- Turn on the main water supply. Adjust as needed.
- Turn off the main water supply.
- ⚠ **WARNING: Risk of personal injury.** Wrap a rag around the pipe plug to prevent water spray. Water will purge from the supply tube when you remove the pipe plug.
- Wrap a rag around the pipe plug, then carefully loosen the pipe plug from the spout supply tube to relieve the pressure.
- Retighten the pipe plug to the supply tube.
- Install plaster guards over both valves and the spout supply tube.
- For tile installations: install tile up to the plaster guards on both valves and the spout supply tube.

1194785-2-A

1194785-2-A

USA/Canada: 1-888-4-KALLISTA

Fax: 1-888-272-3094

kallista.com

KALLISTA

©2012 KALLISTA

1194785-2-A