

KALLISTA® Pressure Balance Valve Trim with Diverter

Klyne™

FEATURES

- Solid brass construction for durability and reliability
- Pressure-balancing technology maintains water temperature within +/-3 degrees Fahrenheit
- High-temperature limit stop helps eliminate scalding
- Complements the Klyne collection

CODES/STANDARDS APPLICABLE

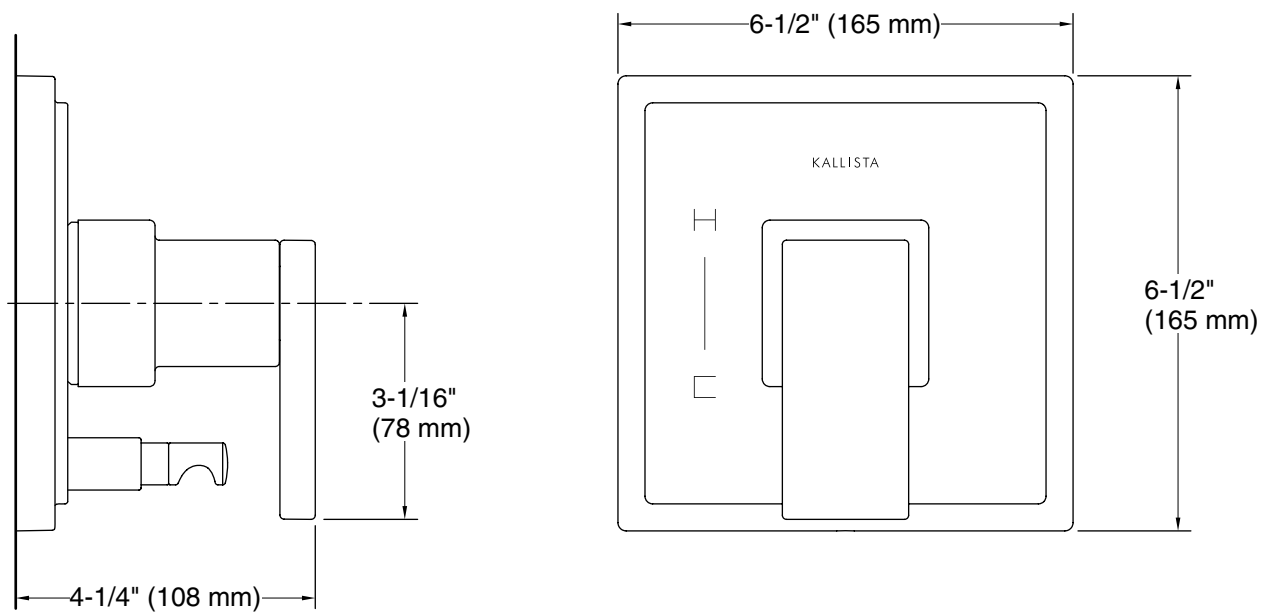
Specified model meets or exceeds the following:

- ASME A112.18.1/CSA B125.1 (Pending)
- ADA* (Pending)
- IAPMO/cUPC (Pending)

* Compliant when installed to the specific requirement of this regulation

P26011

ADA



SPECIFIED MODEL			
Model	Description	Finishes	
P26011-LV	Klyne Pressure Balance Valve Trim, Lever Handle	<input type="checkbox"/> CP Polished Chrome	<input type="checkbox"/> AD Nickel Silver <input type="checkbox"/> BL Matte Black
Required Rough-In			
P29306-WS	Pressure Balance High-Flow Rough-in	<input type="checkbox"/> NA	
P29305-00	Rough-in	<input type="checkbox"/> NA	
P29305-WS	Rough-in with Stops	<input type="checkbox"/> NA	

We reserve the right to make revisions without notice in the design of products or in packaging unless this right has specifically been waived at the time the order is accepted.