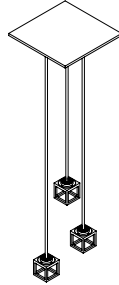


### INSTALLATION INSTRUCTIONS







P30971

## INSTALLATION INSTRUCTIONS

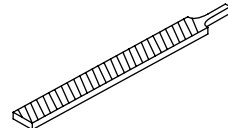
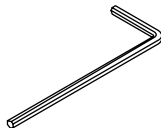
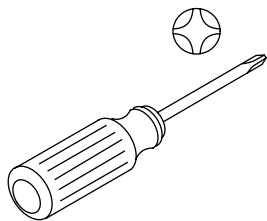
### THANK YOU FOR CHOOSING KALLISTA

We appreciate your commitment to KALLISTA quality products. Please take a moment to review this manual before you install your KALLISTA product. If you encounter any installation or performance problems, please do not hesitate to contact us at the phone number listed at the bottom of the page.

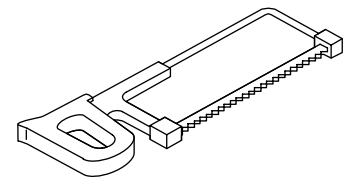
### BEFORE YOU BEGIN

-  **DANGER: Risk of electric shock.** To avoid electric shock, the electricity must be turned off at the circuit breaker or fuse box before beginning installation.
  -  **DANGER: Risk of electric shock.** To avoid electric shock, the outlet box must be properly grounded.
  -  **CAUTION: Risk of product damage.** This is a two person install. Arrange a means of supporting the product before beginning the installation.
  -  **CAUTION: Risk of product damage.** The electrical box must support a minimum of 15 lbs (6.8 kg).
- 
- Observe all local electrical and building codes.
  - Please read all instructions before you begin.
  - The fixture should be installed by a qualified electrician.
  - This fixture is for indoor use only.
  - KALLISTA reserves the right to make revisions in the design of products without notice, as specified in the Price Book.

### TOOLS AND MATERIALS



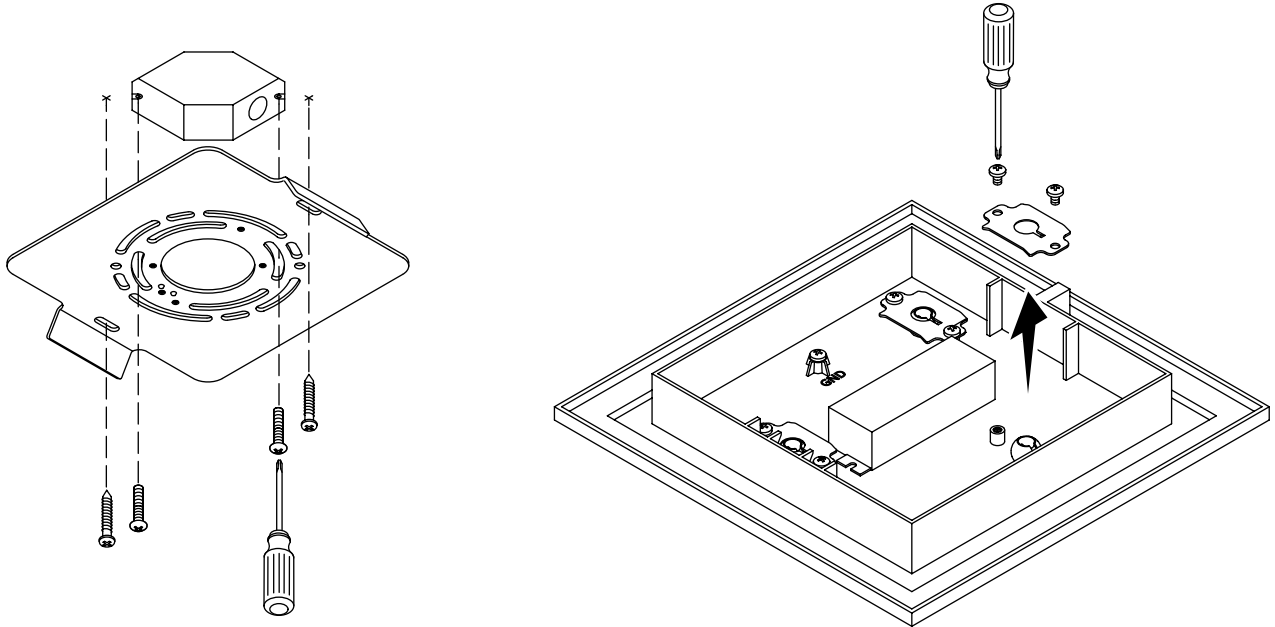
File (optional)



Saw (optional)

## INSTALLATION INSTRUCTIONS

## 1. PREPARE THE MOUNTING PLATE

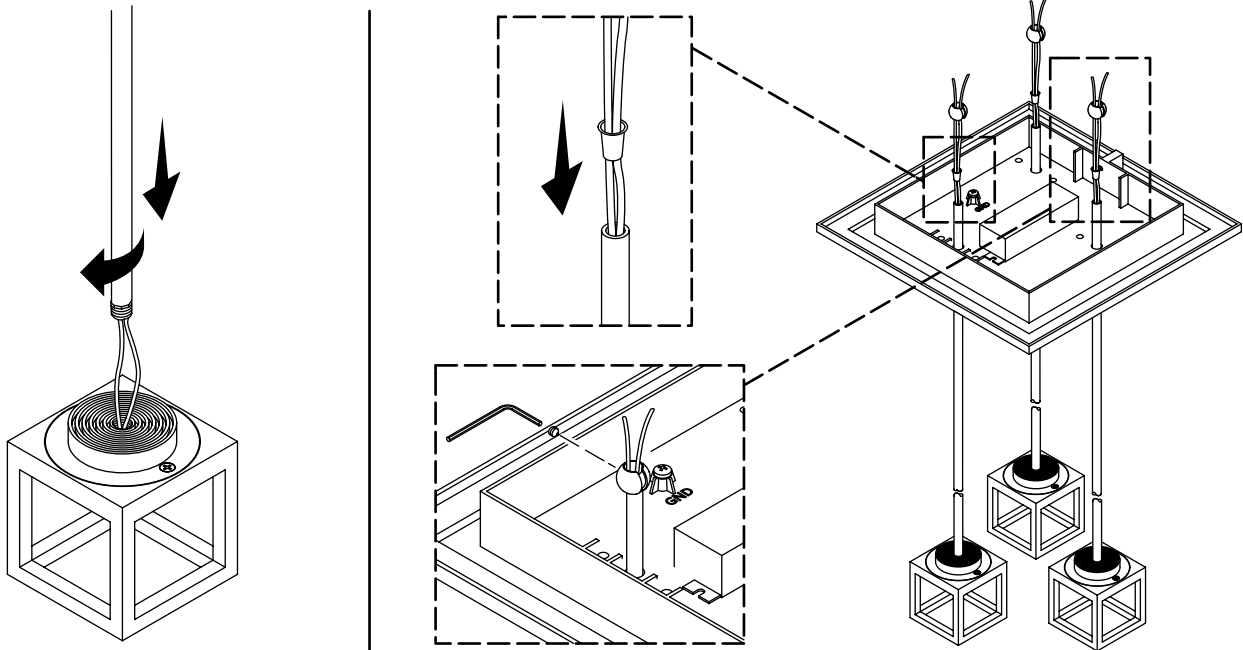


**⚠ CAUTION: Risk of product damage.** The electrical box must support a minimum of 15 lbs (6.8 kg).

- Secure the mounting plate to the electrical box and ceiling.
- Remove the metal clips from the back of the frame. Set the metal clips and the rotation balls to the side for future use.

## INSTALLATION INSTRUCTIONS

### 2. INSTALL THE PENDANTS TO THE FRAME

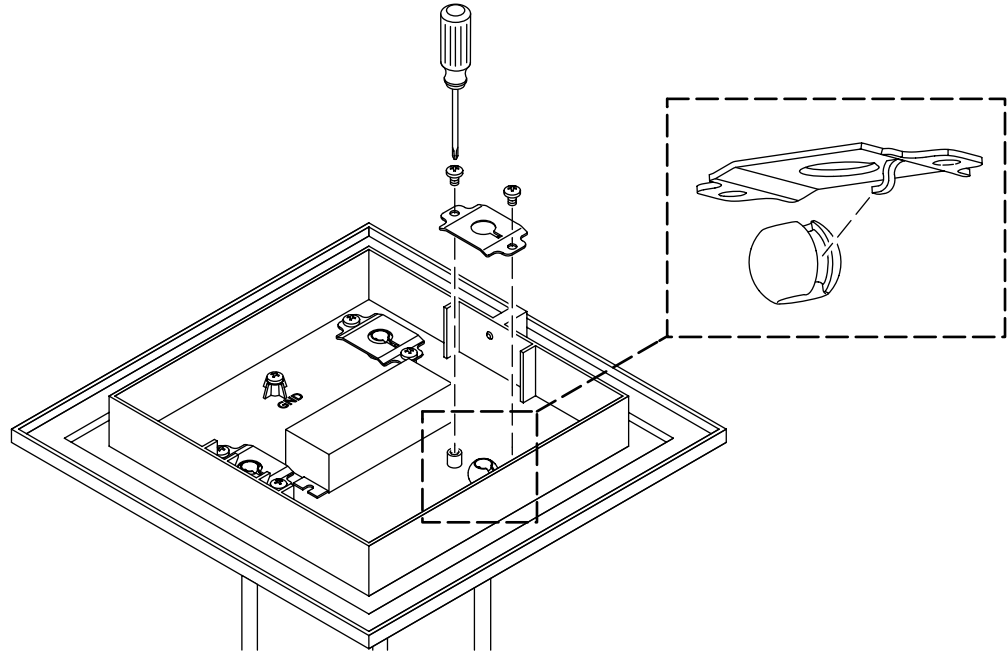


**CAUTION:** Risk of product damage. This is a two person install. Arrange a means of supporting the product before installing the pendants to the frame.

**IMPORTANT!** The wiring length from each pendant corresponds to a rod length. Identify which pendant aligns with each rod before installing the pendants to the frame.

**NOTE:** Rods are precut for a 9 ft (2.7 m) ceiling, but can be trimmed to desired length.

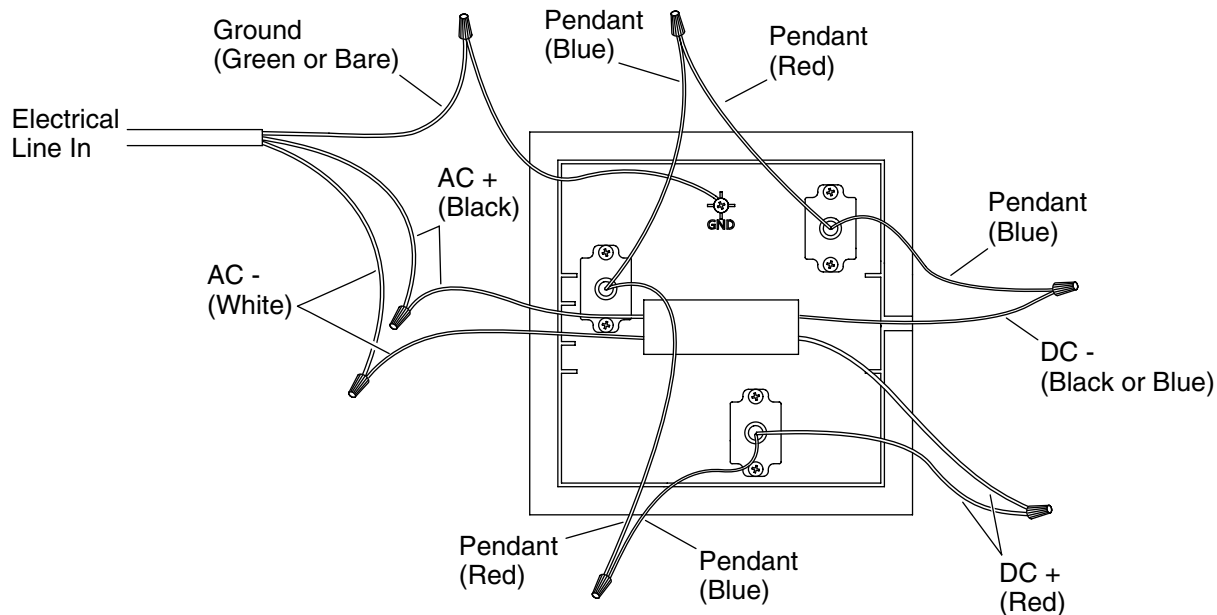
- If trimming is desired, cut the rod on the nonthreaded end. File to remove all burrs.
- With the threaded end toward the pendant, push the wiring from the pendant through the corresponding rod.
- Thread the rod into the pendant base.
- Push the rod through the frame.
- Push the plastic piece into the rod.
- Install the rotation ball against the rod.
- Use a hex wrench to secure the screw into the rotation ball.
- Repeat for each rod.

**INSTALLATION INSTRUCTIONS****3. INSTALL THE METAL CLIPS**

- Hook the metal clip into the rotation ball.
- Secure the metal clips with the provided screws.

## INSTALLATION INSTRUCTIONS

### 4. CONNECT THE ELECTRICAL WIRES



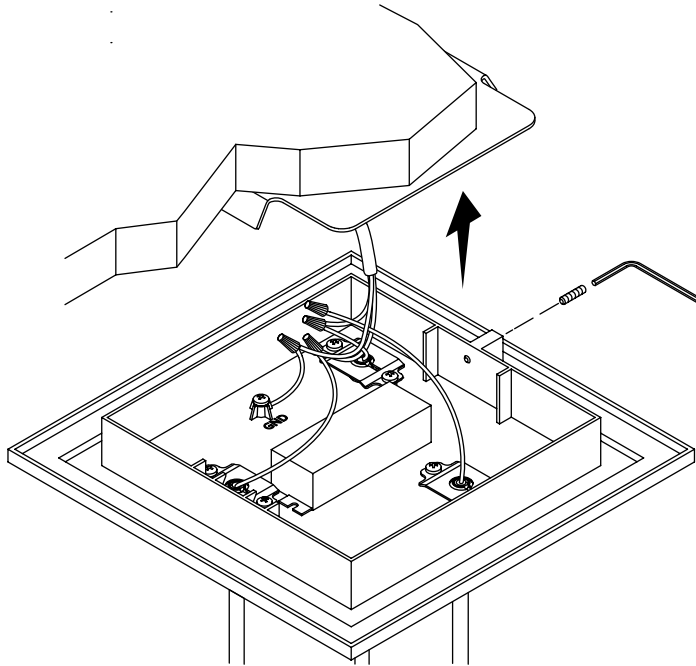
**⚠ DANGER: Risk of electric shock.** To avoid electric shock, the electricity must be turned off at the circuit breaker or fuse box before beginning installation.

**⚠ DANGER: Risk of electric shock.** To avoid electric shock, the outlet box must be properly grounded.

**⚠ CAUTION: Risk of product damage.** This is a two person install. Arrange a means of supporting the product before beginning the installation.

**NOTE:** The fixture must be wired directly to a switch.

- If you have not already done so, turn off the electricity at the circuit breaker or fuse box.
- Attach the bare copper ground wire from the fixture to the ground wire (green or bare wire) of the outlet box.
- Fasten the ground wires together with a plastic wire nut.
- Connect the wires exactly as shown above.
- Fasten the wires together with plastic wire nuts.
- Verify that all plastic wire nuts are securely fastened and that wire strands are not exposed.
- Turn on the electricity at the circuit breaker or fuse box.
- Check for proper operation.

**INSTALLATION INSTRUCTIONS****5. SECURE THE SCONCE**

**NOTE:** As you position the product onto the mounting plate, carefully fit the wiring into the outlet box.

- Position the product over the mounting plate.
- Secure the product using a hex wrench.