

## FEATURES

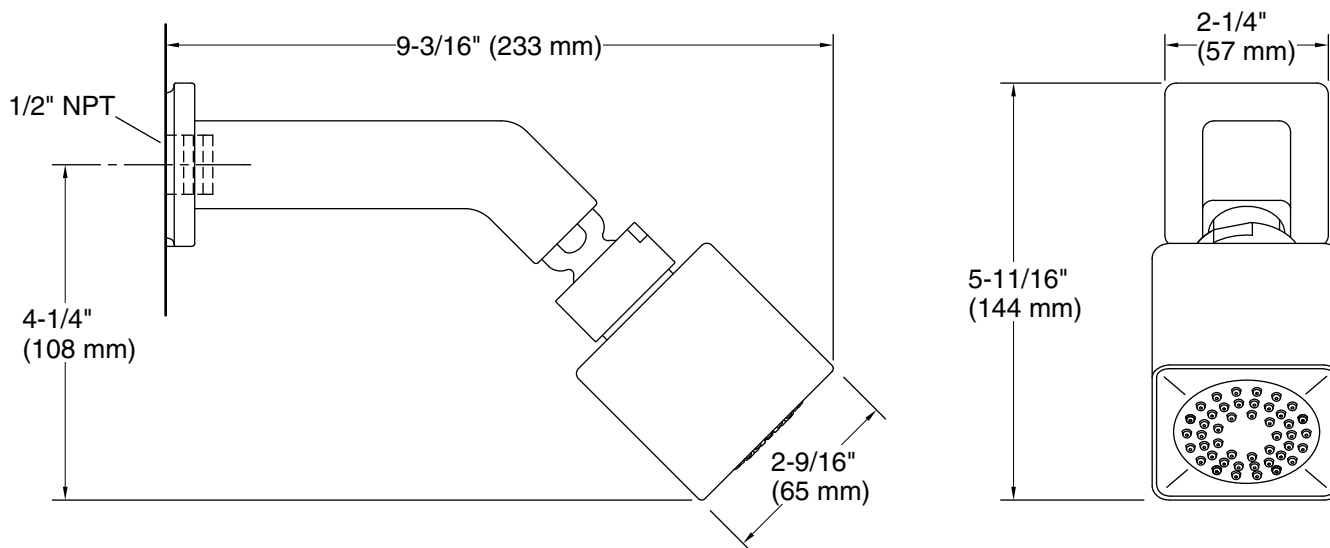
- Brass construction for durability and reliability
- Sprayface resists hard water buildup and is easy to clean
- 1.75 gal/min (6.6 l/min) flow rate
- Complements the Klyne collection

## CODES/STANDARDS APPLICABLE

Specified model meets or exceeds the following:

- ASME A112.18.1/CSA B125.1
- EPA WaterSense®

## P26005



### SPECIFIED MODEL

Model	Description	Finishes		
P26005-00	Klyne Single-Function Showerhead with Arm	<input type="checkbox"/> CP Polished Chrome	<input type="checkbox"/> AD Nickel Silver	<input type="checkbox"/> BL Matte Black

We reserve the right to make revisions without notice in the design of products or in packaging unless this right has specifically been waived at the time the order is accepted.