

5/32"

Record your model number.



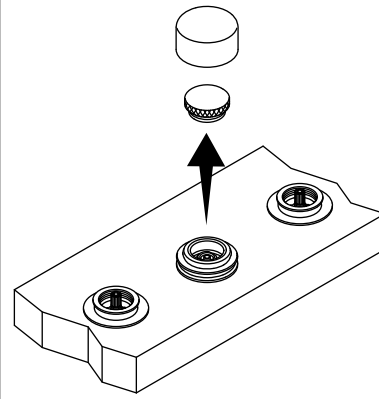
WARNING: Risk of personal injury.

Do not lean over the pipe plug during removal. The water supply lines may be pressurized, causing water to spray or purge.

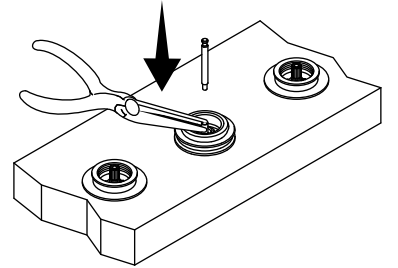
Important Information

Observe all local plumbing and building codes. Shut off the water supply. Install valve P19304-00-NA before installing this product.

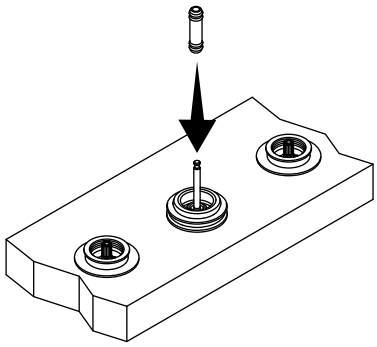
1 Remove the guard. Wrap a rag around the pipe plug and remove the plug.



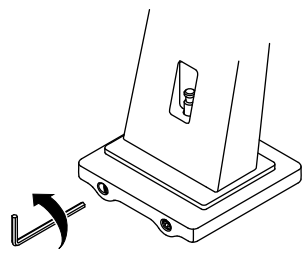
2 Lift and hold the diverter stem with pliers, then fully insert the lift rod.



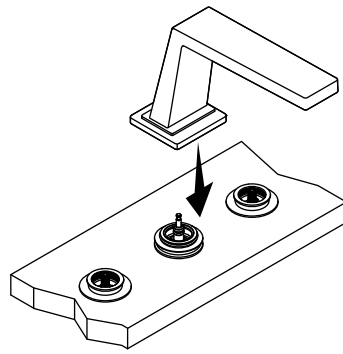
3 Install the diverter tube over the lift rod and into the diverter body.



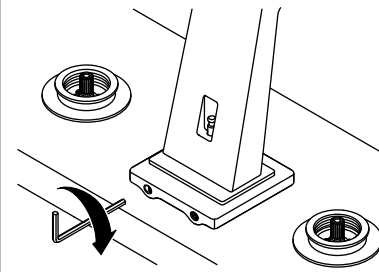
4 Loosen the setscrews on the spout until they clear the inside wall of the spout.



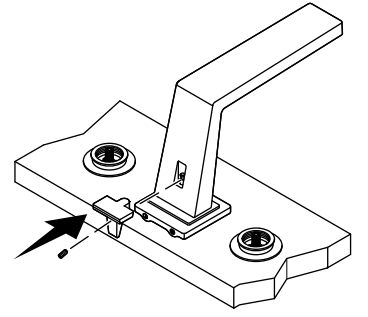
5 Press the spout over the diverter tube until flush.



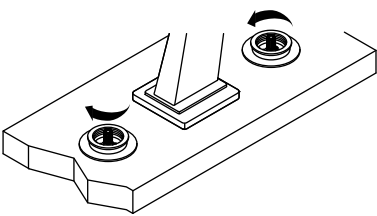
6 Tighten the setscrews.



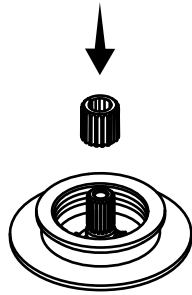
7 Install the lift knob onto the lift rod.



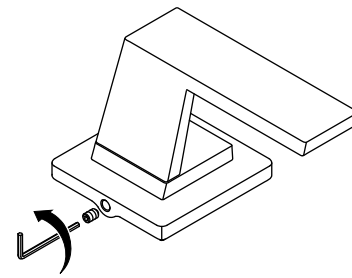
8 Make sure the valves are closed.



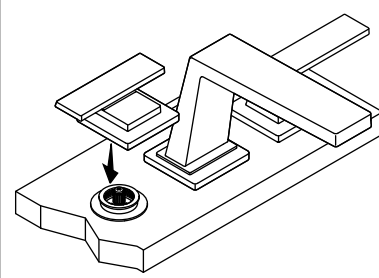
9 Place the spline adapters onto the valves.



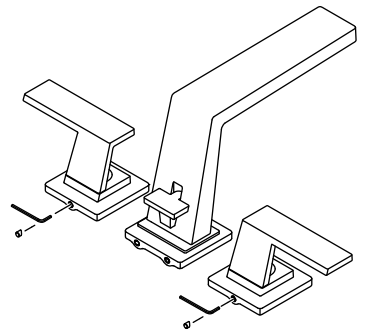
10 Loosen the setscrew.



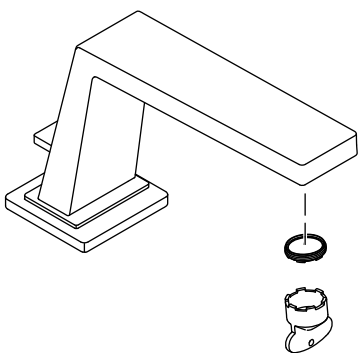
11 Install the handles over the spline adapters, perpendicular to the spout. Check handle alignment. Remove and reposition if necessary.



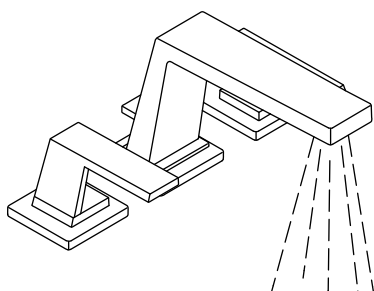
12 Tighten setscrews and install plugs.



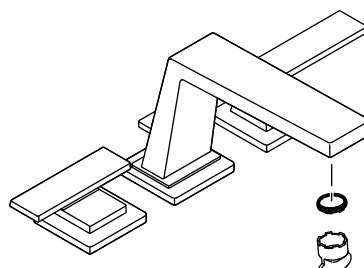
13 Ensure that both handles are turned OFF and that all connections are tight. Remove the aerator.



14 Turn ON the water supplies and check for leaks. Turn ON the hot and cold valves and run water through the spout to remove debris.



15 Confirm proper diverter operation. Turn the handles to the OFF position and then back to the ON position. Verify that the water flow is diverted back to the spout. Turn the handles to the OFF position and install the aerator.



Questions? Problems? For additional assistance, please contact
KALLISTA's Customer Service Department at 1-888-4-KALLISTA
(1-888-452-5547) or kallista.com.