

## FEATURES

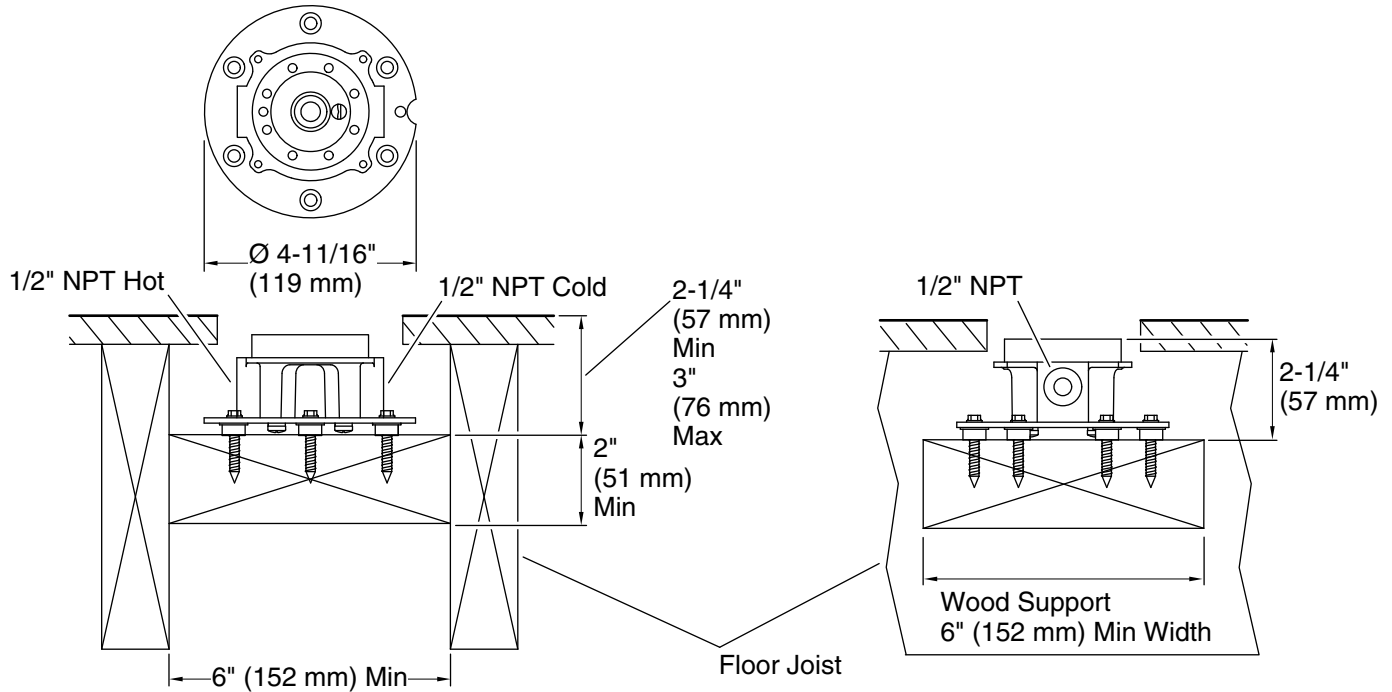
- Includes test cap and mud guard
- Can be installed without required floor-mount bath filler
- For use with the One™, Pinna Paletta®, Pure Paletta® and the For Town floor-mount bath fillers

## CODES/STANDARDS APPLICABLE

Specified model meets or exceeds the following:

- ASME A112.18.1/CSA B125.1

# P20511



## INSTALLATION NOTES

Concrete can be used as the floor support. Requires 3/16" masonry drill bit and six 1/4" x 1-3/4" concrete screws, not included.

## SPECIFIED MODEL

Model	Description	Finishes		
P20511-00	Multi-Faucet Mounting Block	<input type="checkbox"/> NA		
Recommended Accessories				
P24418-00	One Freestanding Bath Faucet	<input type="checkbox"/> CP Polished Chrome	<input type="checkbox"/> AD Nickel Silver	<input type="checkbox"/> AG Brushed Nickel
		<input type="checkbox"/> GN Gunmetal	<input type="checkbox"/> ULB Unlacquered Brass	
P24977-CPH	Pinna Paletta Freestanding Bath Faucet w/Polished Chrome Accent	<input type="checkbox"/> CP Polished Chrome		
P24977-AD	Pinna Paletta Freestanding Bath Faucet w/Nickel Silver Accent	<input type="checkbox"/> AD Nickel Silver		
P24977-ADW	Pinna Paletta Freestanding Bath Faucet w/Antique Nickel Accent	<input type="checkbox"/> AD Nickel Silver		
P24977-ABW	Pinna Paletta Freestanding Bath Faucet w/Antique American Bronze Accent	<input type="checkbox"/> BZ Antique Bronze		
P24977-ULB	Pinna Paletta Freestanding Bath Faucet w/Unlacquered Brass Accent	<input type="checkbox"/> ULB Unlacquered Brass		
P24978-00	Pure Paletta Freestanding Bath Faucet	<input type="checkbox"/> CP Polished Chrome	<input type="checkbox"/> AD Nickel Silver	<input type="checkbox"/> AG Brushed Nickel
		<input type="checkbox"/> BZ Antique Bronze	<input type="checkbox"/> ULB Unlacquered Brass	
P22729-00	For Town Freestanding Bath Faucet	<input type="checkbox"/> CP Polished Chrome	<input type="checkbox"/> AD Nickel Silver	

We reserve the right to make revisions without notice in the design of products or in packaging unless this right has specifically been waived at the time the order is accepted.