

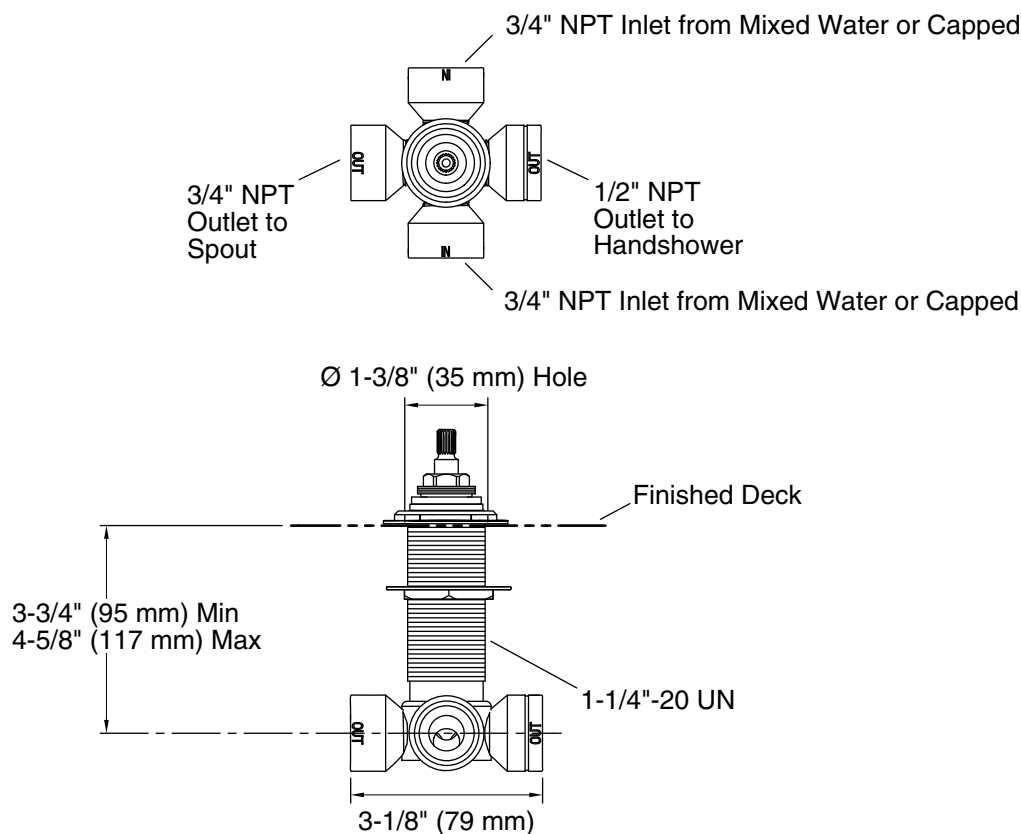
### FEATURES

- Solid brass construction for durability and reliability
- Bath- or deck-mount
- High-flow valve

### CODES/STANDARDS APPLICABLE

- Specified model meets or exceeds the following:
- WRAS Compliant

### P29510W



SPECIFIED MODEL		
Model	Description	Finishes
P29510W-00	3/4" Deck Diverter Valve	<input type="checkbox"/> NA
Required Adapter Kits		
1187506 1187507	1/2" Showering Kit (1 Required) 3/4" Showering Kit (2 Required) <b>OR</b>	<input type="checkbox"/> NA
1265117 1265118	1/2" BSP Adapter Kit (1 Required) 3/4" BSP Adapter Kit (2 Required)	<input type="checkbox"/> NA

We reserve the right to make revisions without notice in the design of products or in packaging unless this right has specifically been waived at the time the order is accepted.