

# KALLISTA®

## For Town Volume Control Trim

### FEATURES

- Solid brass construction for durability and reliability
- Volume control valve allows the user to customize their shower experience
- Complements the For Town collection

### CODES/STANDARDS APPLICABLE

Specified model meets or exceeds the following:

- ASME A112.18.1/CSA B125.1
- ICC/ANSI A117.1
- ADA\*
- OBC\* (Lever only)
- CSA B651\*

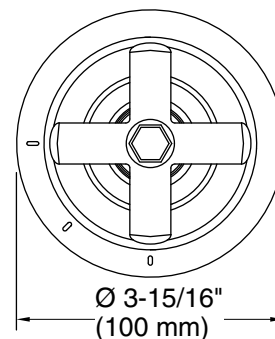
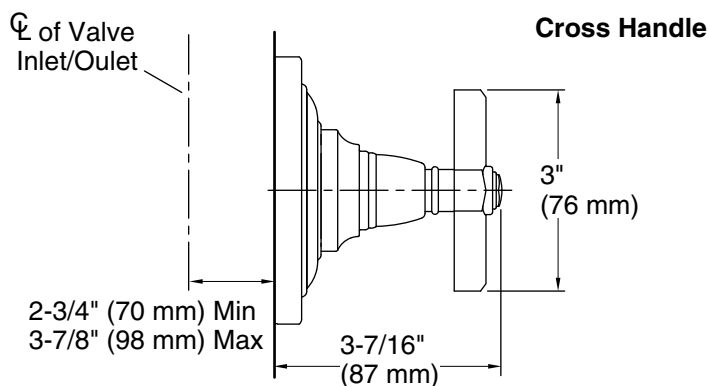
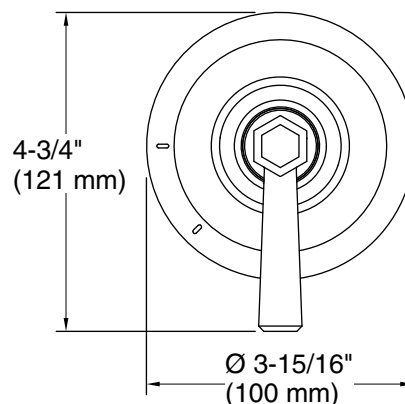
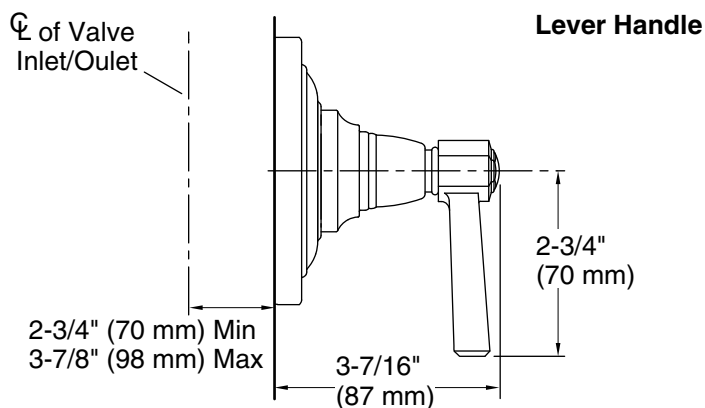
**ADA**

**CSA B651**

**OBC**

\* Compliant when installed to the specific requirement of this regulation

# P22713



### SPECIFIED MODEL

Model	Description	Finishes		
P22713-LV	For Town Volume Control Trim, Lever Handle	<input type="checkbox"/> CP Polished Chrome	<input type="checkbox"/> AD Nickel Silver	<input type="checkbox"/> AG Brushed Nickel
P22713-CR	For Town Volume Control Trim, Cross Handle	<input type="checkbox"/> CP Polished Chrome	<input type="checkbox"/> AD Nickel Silver	<input type="checkbox"/> AG Brushed Nickel
Required Rough-In				
P29527-00	1/2" Volume Control	<input type="checkbox"/> NA		
P29528-00	3/4" Volume Control	<input type="checkbox"/> NA		

We reserve the right to make revisions without notice in the design of products or in packaging unless this right has specifically been waived at the time the order is accepted.