

INSTALLATION INSTRUCTIONS

P24114, P24117,
P24125, P24127

INSTALLATION INSTRUCTIONS

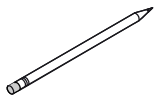
THANK YOU FOR CHOOSING KALLISTA

We appreciate your commitment to KALLISTA quality products. Please take a moment to review this manual before you install your KALLISTA product. If you encounter any installation or performance problems, please do not hesitate to contact us at the phone number listed at the bottom of the page.

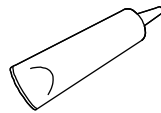
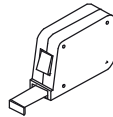
BEFORE YOU BEGIN

- Observe all local plumbing and building codes.
- Shut off the water supply.
- The appearance of your product may differ from what is shown in these instructions, however, the installation procedure is the same.
- KALLISTA reserves the right to make revisions in the design of products without notice, as specified in the Price Book.

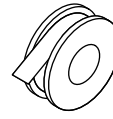
TOOLS AND MATERIALS



Pencil



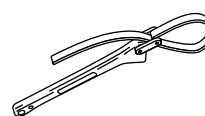
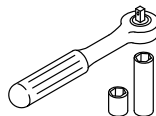
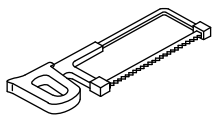
Silicone Sealant



Sealant Tape



Rags

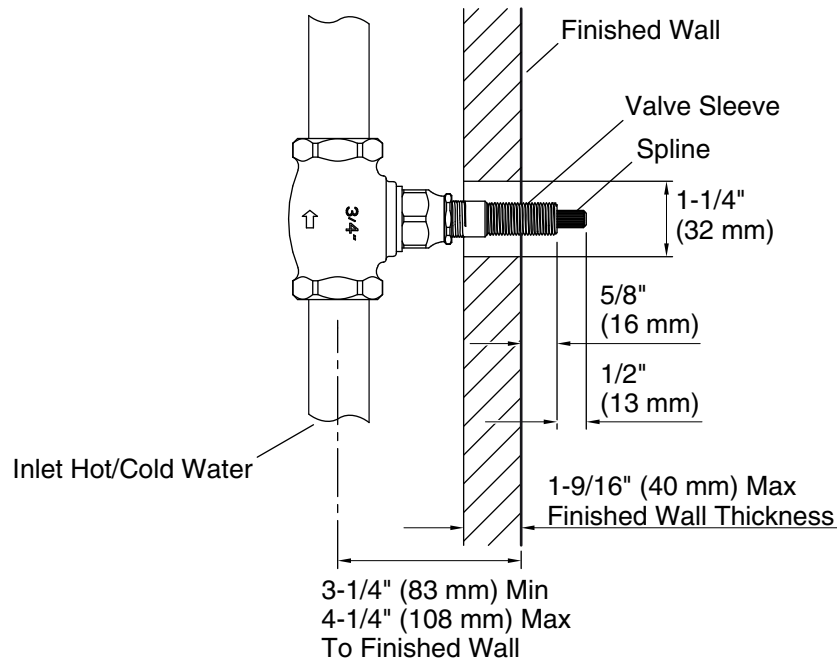


Strap Wrench



INSTALLATION INSTRUCTIONS

1. PREPARE THE VALVES



- Determine the thickness of the finished wall. Plumb the valves in the unfinished wall, making sure the centerline of the valve is between 2" (51 mm) and 2-1/2" (64 mm) from the exterior surface of the 2x4 framing.

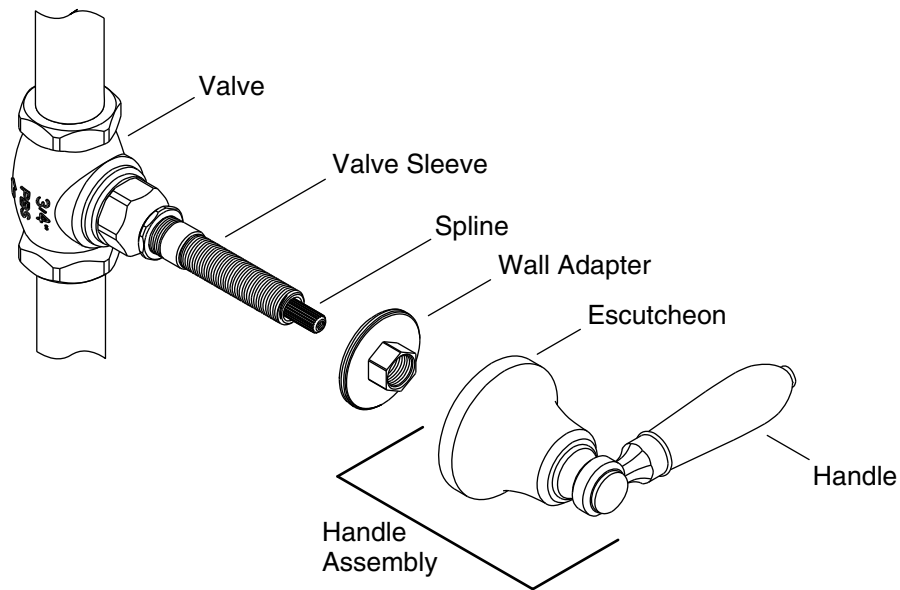
- Install the finished wall material, leaving a 1-1/4" (32 mm) hole around the valve sleeve.

NOTE: Follow the next four steps for both the hot and the cold valves.

- Measure the distance the valve protrudes from the finished wall. If this distance is greater than 5/8" (16 mm), mark the valve sleeve at 5/8" (16 mm) from the finished wall.
- Remove the valve sleeve from the valve. Remove the spline from the valve sleeve. Cut the valve sleeve at the mark.
- Reinstall the spline all the way into the valve sleeve. Measure the distance the spline protrudes from the valve sleeve. If this distance is greater than 1/2" (13 mm), mark the spline at 1/2" (13 mm). Remove the spline from the valve sleeve. Cut the spline at the mark.
- Reinstall the spline into the valve sleeve. Reassemble the valve sleeve and spline into the valve.

INSTALLATION INSTRUCTIONS

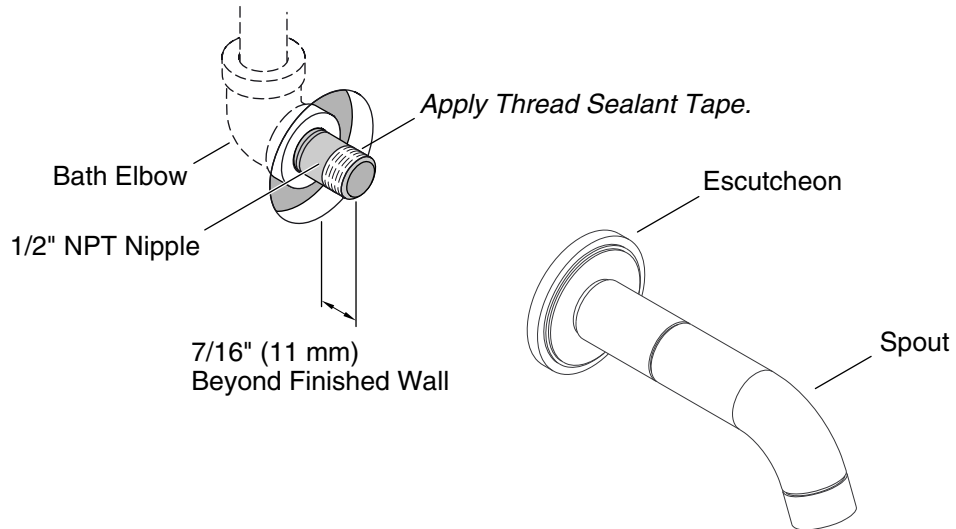
2. INSTALL THE HANDLE/TRIM



- Slide the handle assembly over the valve sleeve and spline so the handle assembly engages the spline. Rotate the handle counterclockwise until the valve is in the closed position. Remove the handle assembly.
- Thread the wall adapter onto the valve until it is snug against the wall.
- Slide the handle assembly onto the valve sleeve and spline, aligning the handle as desired.
- Holding the handle in one hand, use the other hand to rotate the escutcheon until the threads are fully engaged with the threads on the wall adapter and the handle assembly is snug against the wall.
- If desired, apply a bead of clear sealant around the perimeter of the escutcheon.

INSTALLATION INSTRUCTIONS

3. INSTALL THE SPOUT



- Remove the temporary nipple, if installed, from the bath elbow.
- Apply thread sealant and install a 1/2" NPT nipple so it extends 7/16" (11 mm) beyond the finished wall.
- Apply thread sealant to the nipple and thread the spout onto the nipple.
- Carefully tighten the spout with a clean strap wrench.
- If desired, apply a bead of clear sealant around the perimeter of the escutcheon.