

KALLISTA®

Deck-Mount Bath Set

INSTALLATION INSTRUCTIONS

P24103, P24104

INSTALLATION INSTRUCTIONS

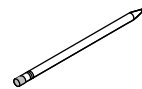
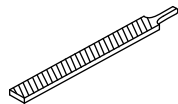
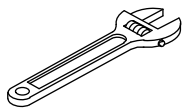
THANK YOU FOR CHOOSING KALLISTA

We appreciate your commitment to KALLISTA quality products. Please take a moment to review this manual before you install your KALLISTA product. If you encounter any installation or performance problems, please do not hesitate to contact us at the phone number listed at the bottom of the page.

BEFORE YOU BEGIN

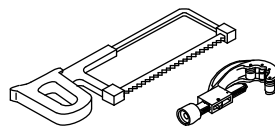
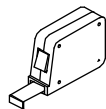
- Please read all instructions before you begin.
- Prior to installation, unpack the bath set and inspect it for damage. Return it to the carton until installation.
- Observe all local plumbing and building codes.
- Shut off the water supply.
- Complete the finished deck material before installing the bath faucet trim.
- The appearance of your product may differ from what is shown in these instructions, however, the installation procedure is the same.
- KALLISTA reserves the right to make revisions in the design of products without notice, as specified in the Price Book.

TOOLS AND MATERIALS



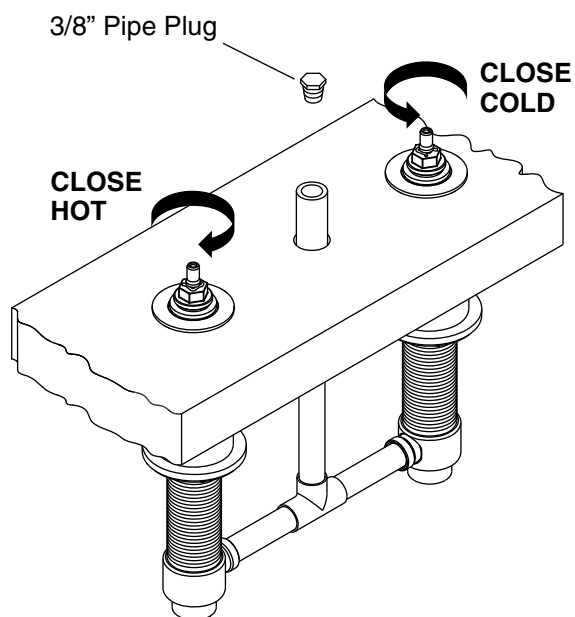
Pencil

Plus:
• Rags



INSTALLATION INSTRUCTIONS

1. REMOVE THE PIPE PLUG



CAUTION: Risk of personal injury. Water lines will be pressurized. Do not lean over the pipe plug when turning or removing the pipe plug.

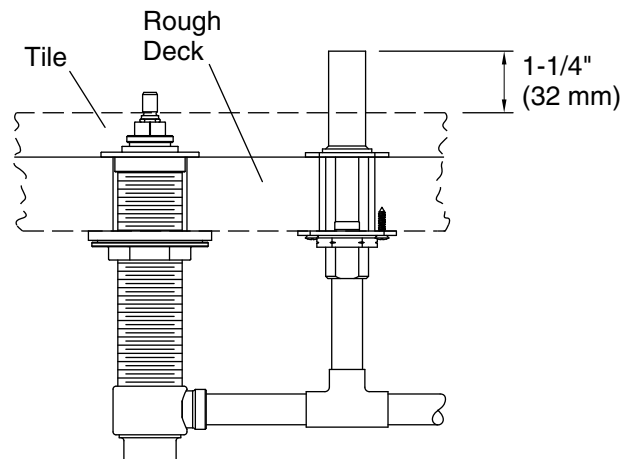
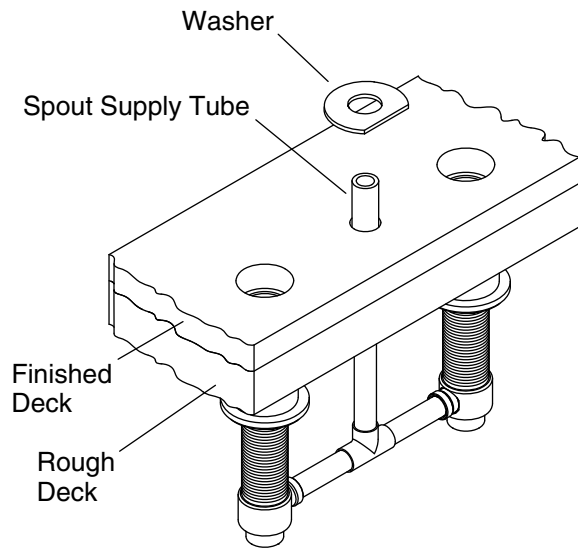
- Make sure the valves are closed (cold - fully counterclockwise; hot - fully clockwise).
- Wrap a rag around the pipe plug to prevent water spray.

IMPORTANT: Water will purge from the supply tube when you remove the pipe plug.

- Carefully remove the pipe plug.

INSTALLATION INSTRUCTIONS

2. PREPARE THE DECK



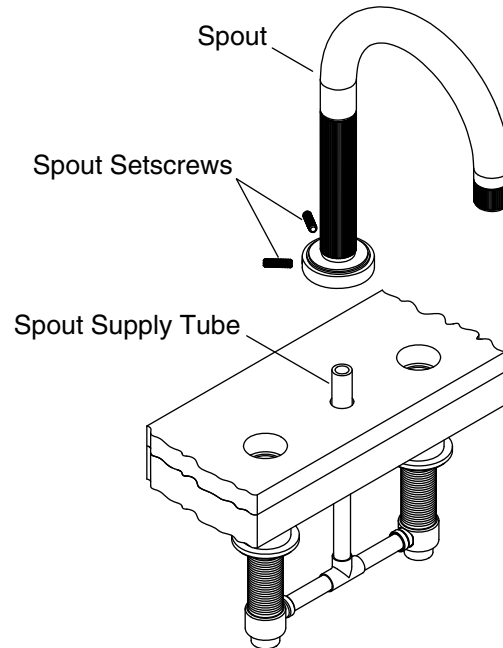
- Remove the plaster guard from the spout supply tube.
- Cut off the spout supply tube 1-1/4" (32 mm) above the rim, finished deck, or tile.
- Remove all burrs from the spout supply tube to prevent damage to the O-ring seal on the spout assembly.

NOTE: The following step applies to a tile-covered rough deck installation only.

- Slide a brass washer, flat side facing forward, onto the supply tube. The brass washer is furnished with the spout.

INSTALLATION INSTRUCTIONS

3. INSTALL THE SPOUT

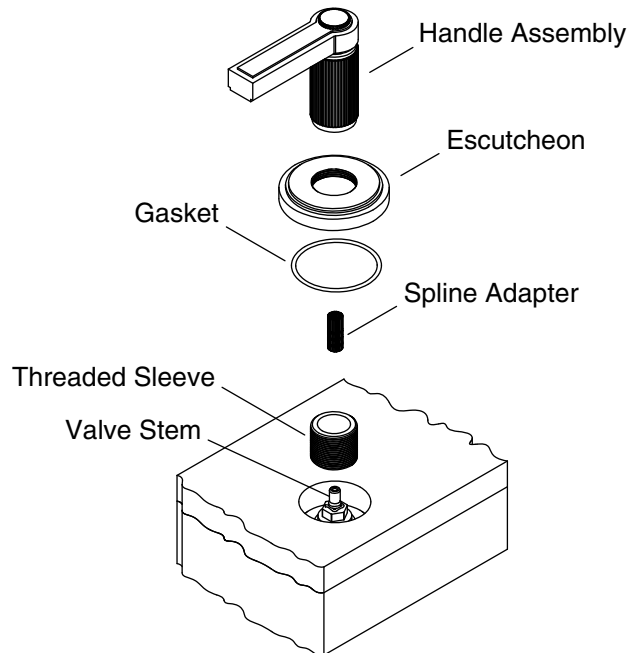


IMPORTANT: Keep the spout supply tube clean above the finished deck to avoid damage to the O-ring seal.

- Loosen the two spout setscrews to allow the spout to slide onto the spout supply tube.
- Carefully slide the spout down over the spout supply tube until the spout contacts the finished deck.
- Position the spout and secure by tightening the setscrews.

INSTALLATION INSTRUCTIONS

4. INSTALL THE HANDLES



- Install each spline adapter onto a valve stem.
- Remove the threaded sleeve from the escutcheon and handle assembly.
- Install the threaded sleeve onto the valve body.
- Insert the gasket into the recessed area at the bottom of the escutcheon.
- Thread the escutcheon onto the threaded sleeve until it contacts the finished deck.
- Align the handle assembly onto the spline adapter and threaded sleeve with one hand holding the handle in the desired position.
- With your other hand, thread the handle assembly stem onto the threaded sleeve, and tighten it to the escutcheon.
- Repeat these steps for the remaining handle assembly.
- If desired, apply a bead of silicone sealant or caulk around the base of the escutcheons where they meet the deck.

5. COMPLETE THE INSTALLATION

- Make sure both faucet handles are turned off (hot - clockwise; cold - counterclockwise).
- Turn on the water supply and check for leaks. Repair as needed.
- Remove the aerator.
- Turn on the hot and cold valves and run water through the spout to remove debris.
- Turn off the hot and cold valves.
- Re-install the aerator.