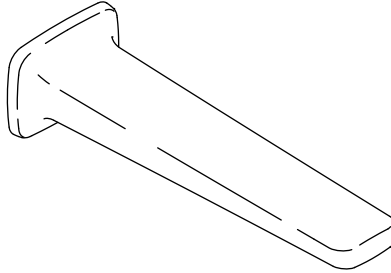


### INSTALLATION INSTRUCTIONS



P24704

### INSTALLATION INSTRUCTIONS

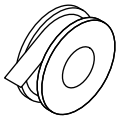
#### THANK YOU FOR CHOOSING KALLISTA

We appreciate your commitment to KALLISTA quality products. Please take a moment to review this manual before you install your KALLISTA product. If you encounter any installation or performance problems, please do not hesitate to contact us at the phone number listed at the bottom of the page.

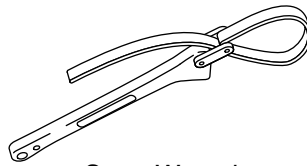
#### BEFORE YOU BEGIN

- Observe all local plumbing and building codes.
- Shut off the water supply.
- The finished wall or bath/shower unit must be installed prior to installing this trim.
- KALLISTA reserves the right to make revisions in the design of products without notice, as specified in the Price Book.

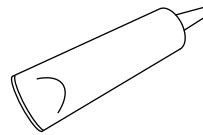
#### TOOLS AND MATERIALS



Sealant Tape



Strap Wrench



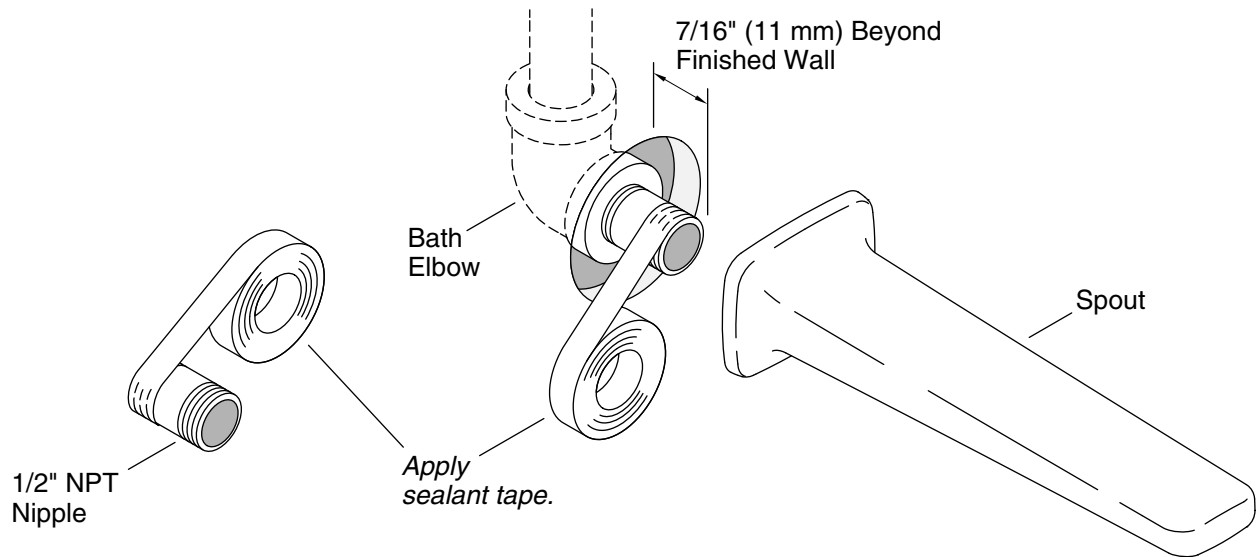
Clear Sealant



Rags

## INSTALLATION INSTRUCTIONS

## 1. INSTALL THE SPOUT



- Remove the temporary nipple from the bath elbow, if installed.
- Apply sealant tape to one end of a 1/2" NPT nipple.
- Install the nipple to the bath elbow so it extends 7/16" (11 mm) beyond the finished wall.
- Apply sealant tape to the nipple and thread the spout onto the nipple.
- Carefully tighten the spout with a clean strap wrench.
- If desired, apply a bead of clear sealant around the perimeter of the escutcheon.