

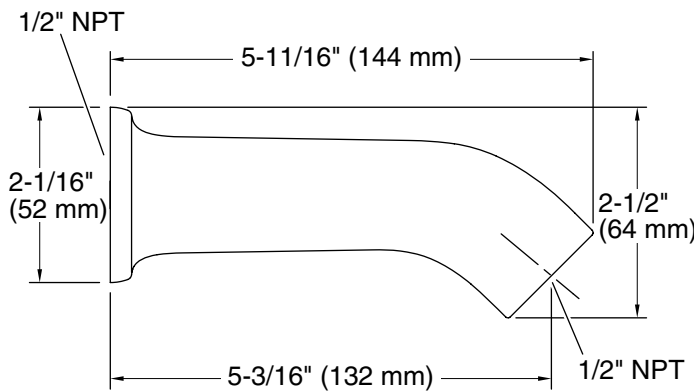
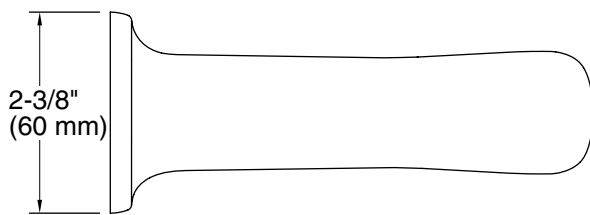
FEATURES

- Solid brass construction for durability and reliability
- 1/2" NPT connection
- Complements the Per Se collection

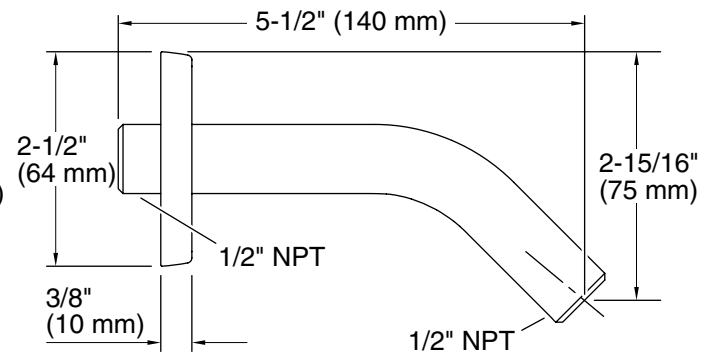
CODES/STANDARDS APPLICABLE

- Specified model meets or exceeds the following:
- ASME A112.18.1/CSA B125.1

P24762, P24763



P24762



P24763

SPECIFIED MODEL

Model	Description	Finishes	
P24762-00	Per Se Upgraded Shower Arm and Integral Flange	<input type="checkbox"/> CP Polished Chrome	<input type="checkbox"/> AD Nickel Silver
		<input type="checkbox"/> AG Brushed Nickel	<input type="checkbox"/> W7 Black Nickel
P24763-00	Per Se Standard Shower Arm and Flange	<input type="checkbox"/> CP Polished Chrome	

We reserve the right to make revisions without notice in the design of products or in packaging unless this right has specifically been waived at the time the order is accepted.