

FEATURES

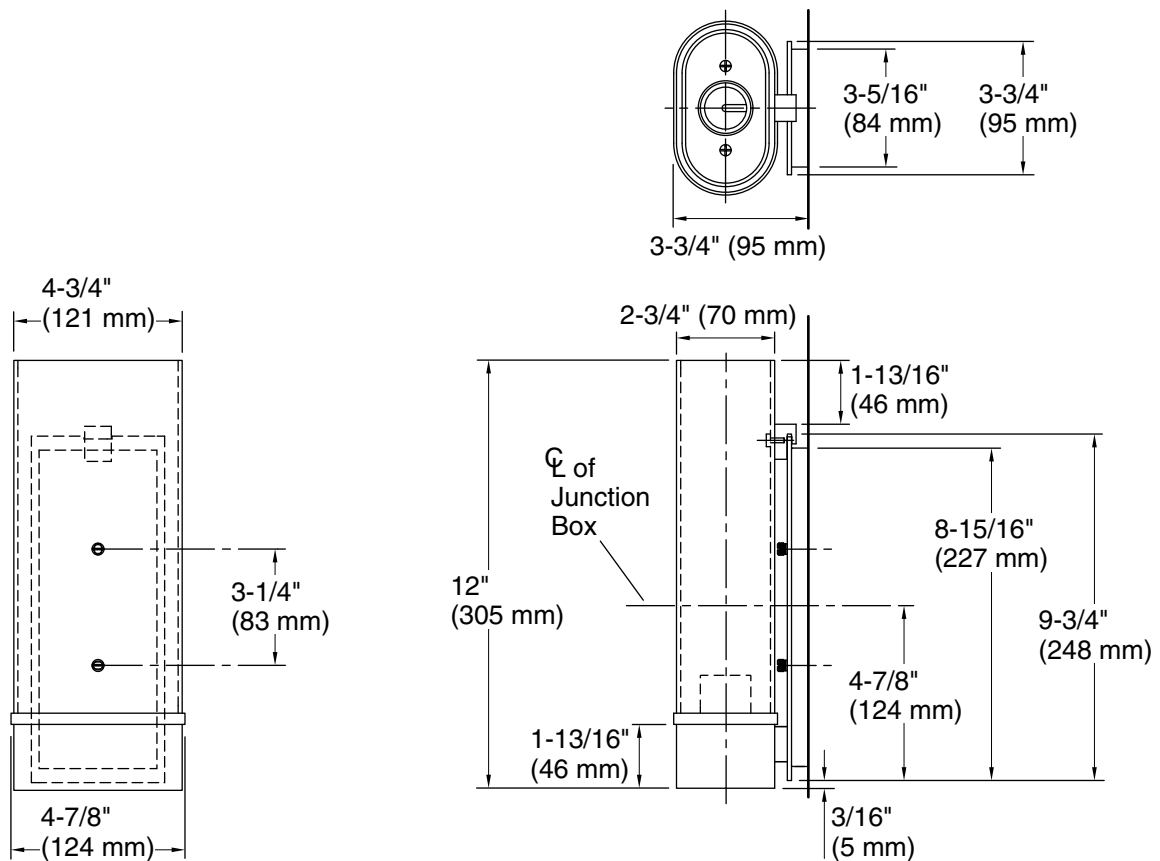
- Solid brass construction for frame
- Oval glass shade
- Easy installation and bulb maintenance
- Complements the One collection

CODES/STANDARDS APPLICABLE

Specified model meets or exceeds the following:

- ANSI/UL 1598
- CSA-C22.2 No. 250.0

P34421



ELECTRICAL NOTES

Use 4" (102 mm) x 2-1/8" (54 mm) Rectangular Electrical Box for Installation.
Recommended Bulb: T10 (60 Watt Max)

SPECIFIED MODEL

Model	Description	Finishes			
P34421-00	One Wall Sconce	<input type="checkbox"/> CP Polished Chrome	<input type="checkbox"/> AD Nickel Silver	<input type="checkbox"/> AG Brushed Nickel	<input type="checkbox"/> GN Gunmetal

We reserve the right to make revisions without notice in the design of products or in packaging unless this right has specifically been waived at the time the order is accepted.