

### INSTALLATION INSTRUCTIONS

### P23070

#### THANK YOU FOR CHOOSING KALLISTA

We appreciate your commitment to Kallista quality products. Please take a moment to review this manual before you install your Kallista product. If you encounter any installation or performance problems, please do not hesitate to contact us at the phone number listed at the bottom of the page.

#### BEFORE YOU BEGIN

- Observe all local plumbing and building codes.
- Shut off the main water supply.
- Carefully inspect waste and supply tubing for any sign of damage.
- Replace waste or supply tubing if necessary.
- Do not use petroleum based products in this project; the only exception being the sealant; between the wall and the back flange.
- Kallista reserves the right to make revisions in the design of faucets without notice, as specified within the Price Book.

#### TOOLS AND MATERIALS



Hex  
Wrench



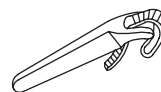
Adjustable  
Wrench



Silicone  
Sealant



Thread  
Sealant



Strap  
Wrench

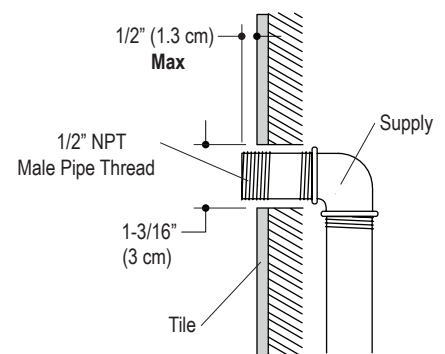


Level

#### 1. PREPARE THE SITE

**IMPORTANT!** The supply should not extend farther than 1/2" (1.3 cm) beyond the finished wall material.

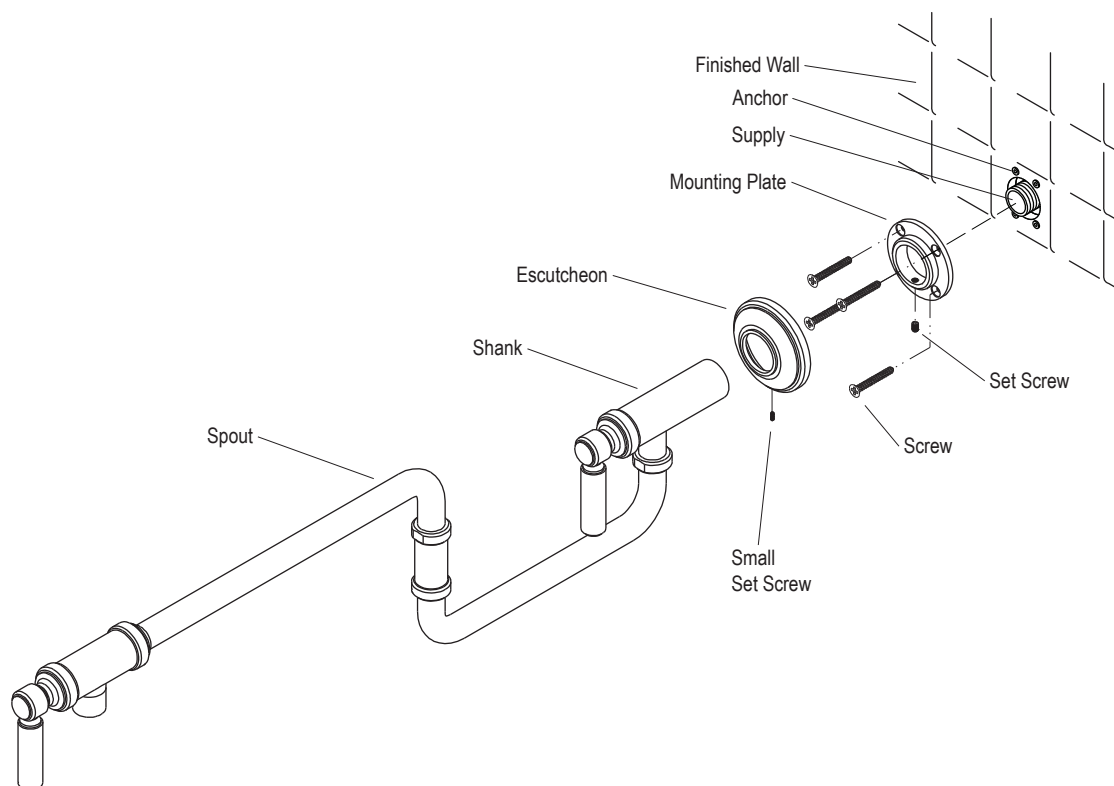
- Determine the faucet installation location.
- Install a supply stop and route the water supply to the installation location.
- Install appropriate backing and secure the supply pipes so the front face of the pipe nipple will protrude no more that 1/2" (1.3 cm) beyond the finished wall surface.
- Install the wall board and finished wall material. Allow a 1-3/16" (3 cm) diameter opening in the wall board and finished wall material for the faucet supply connection.



## INSTALLATION INSTRUCTIONS

P23070

## 2. INSTALL THE FAUCET ASSEMBLY



- Slide the mounting plate onto the faucet shank.
- Align the groove in the underside of the faucet shank with the set screw hole in the mounting plate and secure with the set screw.
- Temporarily install the faucet onto the supply until the mounting plate is both flush with the wall and the set screw is facing down.
- With a pencil, mark the location of the four mounting holes.
- Remove the faucet from the supply.
- Remove the mounting plate from the faucet shank.
- Drill a 1/4" hole at each of the four marked locations.
- Install an anchor into each of the four holes.
- Apply thread sealant to the supply pipe threads.
- Slide the mounting plate over the supply and up against the finished wall. Position the mounting plate so the set screw hole is facing down.
- Line up the holes in the mounting plate with the anchors and secure with the four screws.

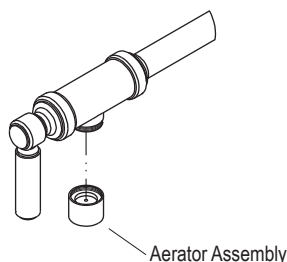
## INSTALLATION INSTRUCTIONS

## P23070

## 2. INSTALL THE FAUCET ASSEMBLY (cont.)

- Slide the escutcheon on to the faucet shank.  
**NOTE:** Use a strap wrench to tighten the faucet connection. Do not tighten using the spout.
- Thread the faucet on to the supply. Use a strap wrench to tighten until a water tight seal is made and the faucet is positioned as shown.
- Verify that the groove in the under side of the faucet shank is aligned with the set screw hole in the mounting plate. Secure with the set screw.
- Slide the escutcheon over the mounting plate.
- Position the escutcheon so the set screw hole is facing down.
- Secure the escutcheon with the small set screw.

## 3. INSTALLATION CHECKOUT



- Turn both the handles full clockwise to the off position to close the valves.
- Verify that all connections are tight.
- Twist the aerator counterclockwise to remove it from the spout.
- Position a bucket, or other suitable container, beneath the spout.
- Turn on the main water supply.
- Check all the connections for leaks; repair as needed.
- Open both faucet valves to run water through the faucet.
- Check all connections for leaks; make any adjustments as needed.
- Allow water to run through the spout to remove any debris.
- Turn off the faucet by closing both the valves.
- Remove any debris from the aerator and reinstall.

## 4. EVERYDAY USE

- IMPORTANT!** The handle closest to the wall must remain in the off position when not in use.