

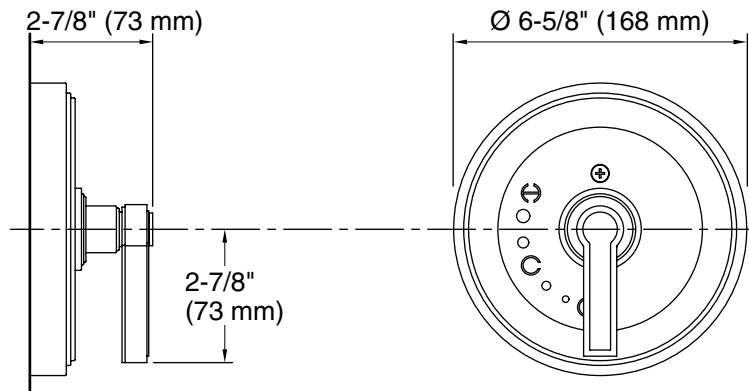
KALLISTA® Vir Stil® Minimal Pressure Balance Valve Trim & Pressure Balance Valve Trim with Diverter

FEATURES

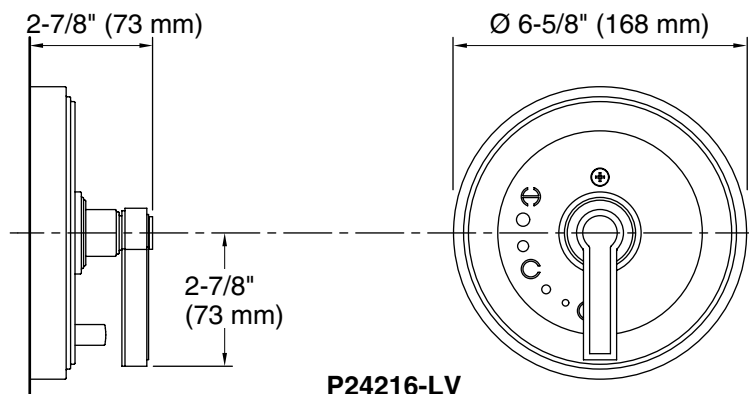
- Solid brass construction for durability and reliability
- Pressure-balancing technology maintains water temperature within +/-3 degrees Fahrenheit
- High-temperature limit stop helps eliminate scalding
- Complements the Vir Stil Minimal collection

P24215

P24216



P24215-LV



P24216-LV

SPECIFIED MODEL

Model	Description	Finishes	
P24215-LV	Vir Stil Minimal Pressure Balance Valve Trim, Lever Handle	<input type="checkbox"/> CP Polished Chrome	<input type="checkbox"/> AD Nickel Silver
		<input type="checkbox"/> AG Brushed Nickel	<input type="checkbox"/> LB Bronze
P24216-LV	Vir Stil Minimal Pressure Balance Valve Trim with Diverter, Lever Handle	<input type="checkbox"/> CP Polished Chrome	<input type="checkbox"/> AD Nickel Silver
		<input type="checkbox"/> AG Brushed Nickel	<input type="checkbox"/> LB Bronze
Required Rough-In (1 required)			
P19310-00	Pressure Balance Rough-in for P24215		<input type="checkbox"/> NA
P19310-WS	Pressure Balance Rough-in with Stops for P24215		<input type="checkbox"/> NA
P19310-US	Rough-In with Stops and PEX connections for P24215		<input type="checkbox"/> NA
P29306-WS	Pressure Balance High-Flow Rough-in for P24215		<input type="checkbox"/> NA
P29500-00	Pressure Balance Rough-in & Thermostatic Cartridge for P24215		<input type="checkbox"/> NA
P29500-WS	Pressure Balance Rough-in & Thermostatic Cartridge with Stops for P24215		<input type="checkbox"/> NA
P29305-00	Pressure Balance with Diverter Rough-in for P24216		<input type="checkbox"/> NA
P29305-WS	Pressure Balance with Diverter Rough-in with Stops for P24216		<input type="checkbox"/> NA

We reserve the right to make revisions without notice in the design of products or in packaging unless this right has specifically been waived at the time the order is accepted.