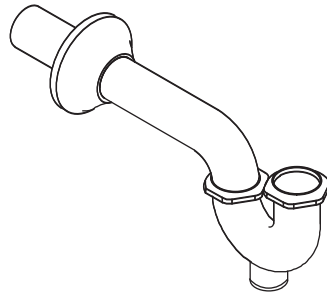


INSTALLATION INSTRUCTIONS

P21641



P21641

**INSTALLATION
INSTRUCTIONS**

P21641

THANK YOU FOR CHOOSING KALLISTA

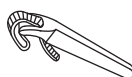
We appreciate your commitment to Kallista quality faucets. Please take a moment to review this manual before you install your Kallista faucet. If you encounter any installation or performance problems, please don't hesitate to contact us at the phone number listed at the bottom of the page.

BEFORE YOU BEGIN**INSTALLER INFORMATION**

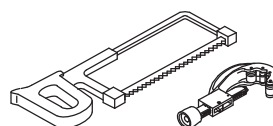
- Carefully plan the installation before beginning. Carefully read the entire instructions. Component location, spacing, and situational requirements can vary. 1-1/4" inlet and 1-1/4" outlet intended for console table installation.
- Shut off the main water supply.
- Observe all local plumbing and building codes.
- Kallista reserves the right to make revisions in the design of faucets without notice, as specified in the Price Book.

TOOLS AND MATERIALS

Adjustable
Wrench



Strap
Wrench

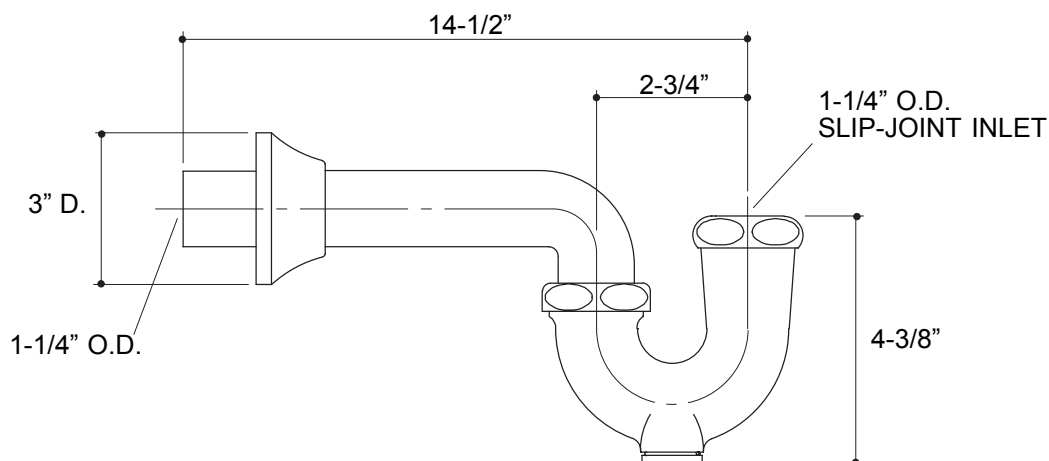


Hacksaw or
Tubing Cutter

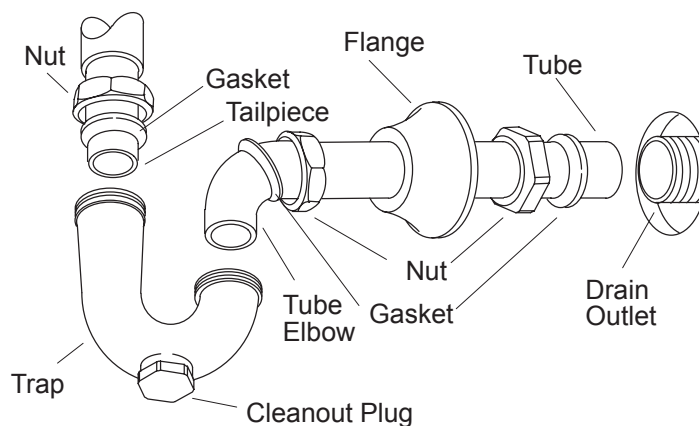
INSTALLATION INSTRUCTIONS

P21641

1. ROUGH-IN DIAGRAM



2. P-TRAP INSTALLATION



- Insert tube into drain outlet and connect with nut and gasket (not supplied).
- Slide flange back to wall to cover the drain outlet.
- Place trap nut and gasket onto tailpiece. Slide trap over tailpiece and tube elbow. Tailpiece must extend 1" to 2" into the trap. Tailpiece may need to be cut to fit. Tighten nuts and gaskets.
- Cleanout plug is used to remove any debris that has fallen into the trap.

6. INSTALLATION CHECKOUT

- Ensure all connections are tight.
- Open the drain.
- Turn on the main water supply.
- Open both hot and cold valves and run water through the P-Trap. Check for leaks, repair as needed.
- Turn the valves to the closed position.