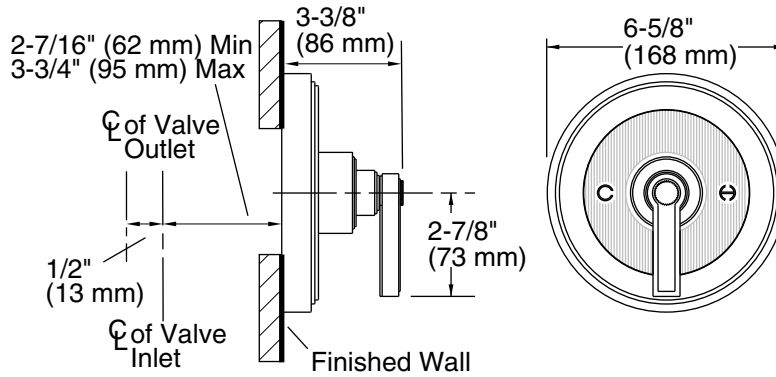


FEATURES

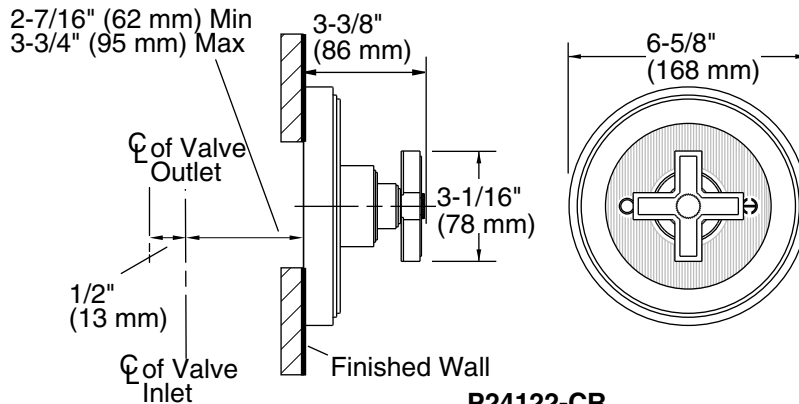
- Solid brass construction for durability and reliability
- Available with lever handle or cross handle
- Front seal plate assembly
- Allows bather to set precise temperature
- Complements the Vir Stil collection

CODES/STANDARDS APPLICABLE

- Specified model meets or exceeds the following:
- ASSE 1016 (P29511-WS & P29512-WS)
 - ASME A112.18.1/CSA B125.1



P24122-LV



P24122-CR

SPECIFIED MODEL

Model	Description	Finishes			
P24122-LV	Vir Stil Thermostatic Trim, Lever Handle	<input type="checkbox"/> CP Polished Chrome	<input type="checkbox"/> AD Nickel Silver	<input type="checkbox"/> AG Brushed Nickel	<input type="checkbox"/> LB Bronze
P24122-CR	Vir Stil Thermostatic Trim, Cross Handle	<input type="checkbox"/> CP Polished Chrome	<input type="checkbox"/> AD Nickel Silver	<input type="checkbox"/> AG Brushed Nickel	<input type="checkbox"/> LB Bronze
Required Rough-in					
P29511-WS	1/2" Thermostatic Mixing Valve	<input type="checkbox"/> NA			
P29512-WS	3/4" Thermostatic Mixing Valve	<input type="checkbox"/> NA			
Required Accessories (Choose one Trim and one Valve)					
P24113-LV	Vir Stil Volume Control Valve Trim, Lever handle	<input type="checkbox"/> CP Polished Chrome	<input type="checkbox"/> AD Nickel Silver	<input type="checkbox"/> AG Brushed Nickel	<input type="checkbox"/> LB Bronze
P24113-CR	Vir Stil Volume Control Valve Trim, Cross handle	<input type="checkbox"/> CP Polished Chrome	<input type="checkbox"/> AD Nickel Silver	<input type="checkbox"/> AG Brushed Nickel	<input type="checkbox"/> LB Bronze
P29527-00	1/2" Volume Control Valve	<input type="checkbox"/> NA			
P29528-00	3/4" Volume Control Valve	<input type="checkbox"/> NA			

We reserve the right to make revisions without notice in the design of products or in packaging unless this right has specifically been waived at the time the order is accepted.