

INSTALLATION INSTRUCTIONS

P34001, P34002, P34003,
P34006, P34008, P34010

INSTALLATION INSTRUCTIONS

THANK YOU FOR CHOOSING KALLISTA

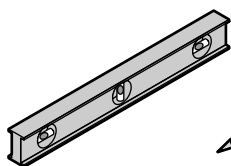
We appreciate your commitment to KALLISTA quality products. Please take a moment to review this manual before you install your KALLISTA product. If you encounter any installation or performance problems, please do not hesitate to contact us at the phone number listed at the bottom of the page.

BEFORE YOU BEGIN

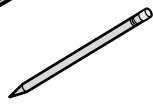
⚠ CAUTION: Risk of personal injury. These products are not designed or intended for use as a grab bar or support bar. Do not install these products in any area where they are likely to be used inadvertently as a grab bar or support bar.

- These products should be located and mounted to a wall stud. While it is possible to mount them to any surface, a stud-mounted product will yield the best results.
- Use a level to ensure that the center lines for the wall plates are vertical where applicable and the post center lines are horizontal where applicable.
- Observe all local plumbing and building codes..
- KALLISTA reserves the right to make revisions in the design of products without notice, as specified in the Price Book.

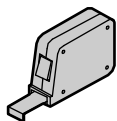
TOOLS AND MATERIALS



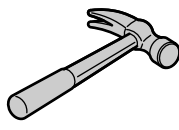
Level



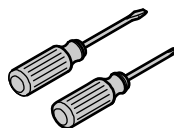
Pencil



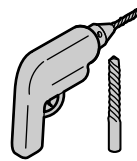
Tape Measure



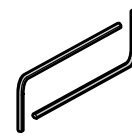
Claw Hammer



Assorted Screwdrivers



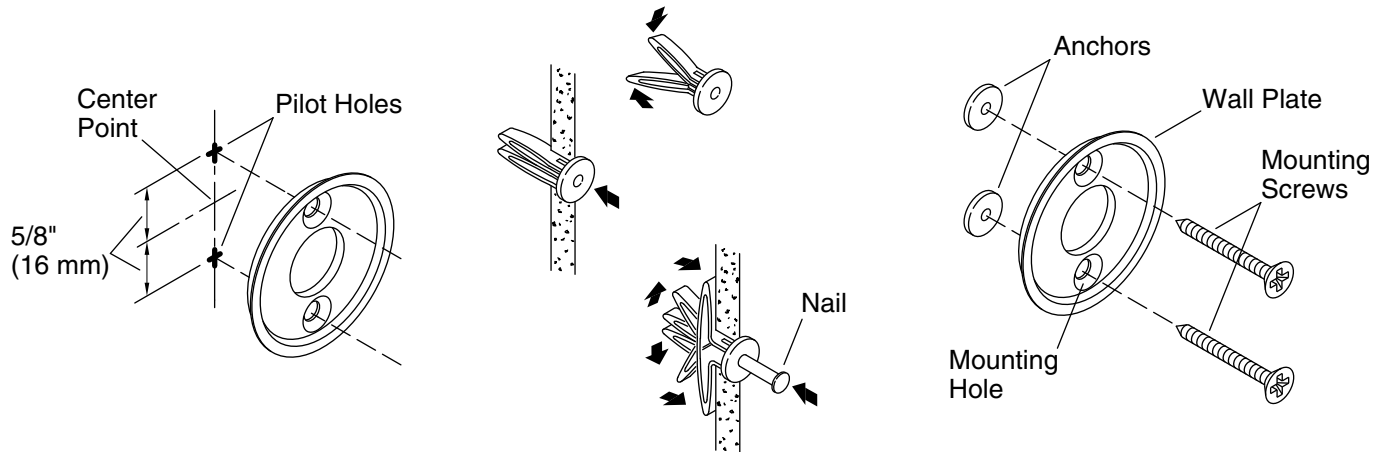
Drill with 5/16" (8 mm) Bit



Assorted Hex Wrenches

INSTALLATION INSTRUCTIONS

WALL PLATE INSTALLATION



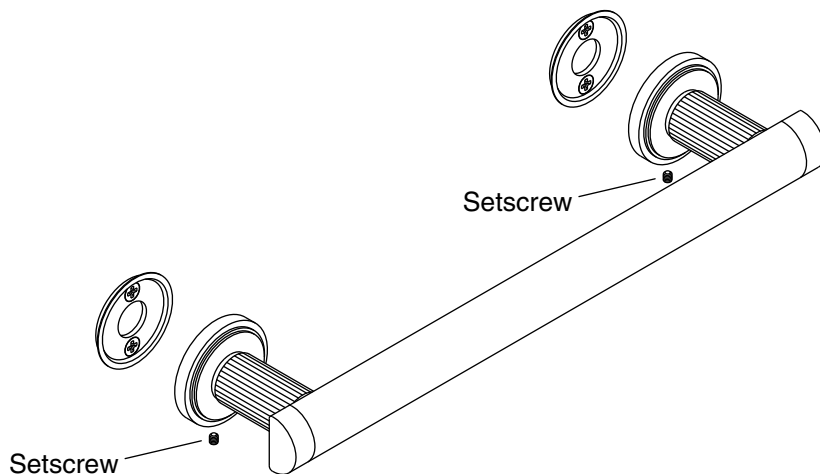
- Determine the desired mounting location.
- Mark the vertical and horizontal centerlines for the accessory to be installed. Consult the roughing-in sheet to determine the dimensions.
- When installing multiple-post accessories, determine the required distance between the center points.
- Use a level to ensure that center points for multiple-post accessories are horizontally level.
- Mark the pilot hole locations vertically 5/8" (16 mm) above and below each center point. Vertically line up the holes on each wall plate.
- Select a drill and bit that are appropriate for the wall material you will be drilling through. Carefully drill a 5/16" (8 mm) hole at all marked pilot hole locations.

NOTE: If you encounter a stud during drilling, stop immediately and use only the mounting screws.

- Install the anchors as illustrated above.
- Use two mounting screws to secure the wall plate to the wall.

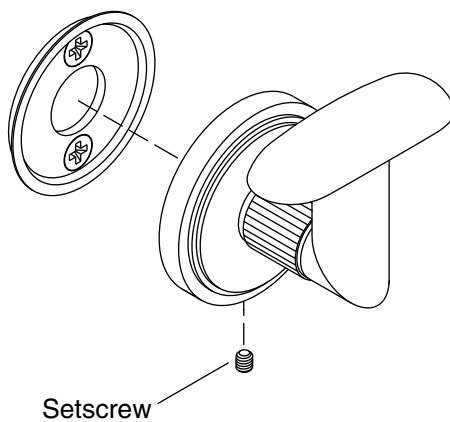
INSTALLATION INSTRUCTIONS

TOWEL BAR INSTALLATION



- Mount the wall plates to the wall in the desired location.
- Place both ends of the towel bar over the wall plates.
- Tighten the setscrews to hold the towel bar in place.

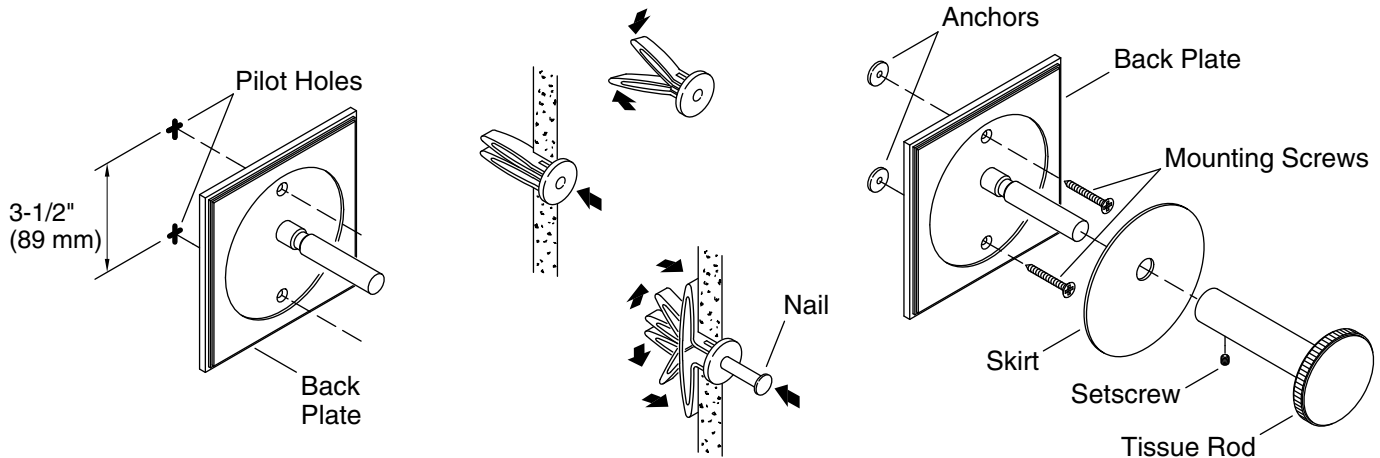
ROBE HOOK AND TOWEL RING INSTALLATION



- Mount the wall plate to the wall in the desired location.
- Place the end of the robe hook or towel ring over the wall plate.
- Tighten the setscrew to hold the robe hook or towel ring in place.

INSTALLATION INSTRUCTIONS

TISSUE HOLDER INSTALLATION



- Determine the desired mounting location.
- Mark the pilot hole locations vertically 3-1/2" (89 mm) apart.
- Select a drill and bit that are appropriate for the wall material you will be drilling through. Carefully drill a 5/16" (8 mm) hole at all marked pilot hole locations.

NOTE: If you encounter a stud during drilling, stop immediately and use only the mounting screws.

- Install the anchors as illustrated above.
- Use two mounting screws to secure the back plate to the wall.
- Install the skirt and tissue rod over the post on the back plate.
- Tighten the setscrew to hold the tissue rod in place.