

# KALLISTA®

## Widespread Lavatory Faucets

---

### INSTALLATION INSTRUCTIONS

P22130, P22200, P22230,  
P22500, P22600, P22800,  
P22900, P23000, P23001,  
P23002

## INSTALLATION INSTRUCTIONS

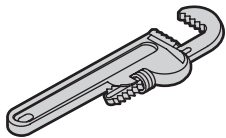
### THANK YOU FOR CHOOSING KALLISTA

We appreciate your commitment to KALLISTA quality products. Please take a moment to review this manual before you install your KALLISTA product. If you encounter any installation or performance problems, please do not hesitate to contact us at the phone number listed at the bottom of the page.

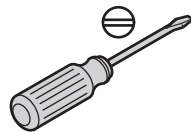
### IMPORTANT INFORMATION

- Prior to installation, unpack the new faucet and inspect it for damage. Return the faucet to its protective carton until you are ready to install it.
- Observe all local plumbing and building codes.
- Shut off the main water supply.
- Inspect the drain and supply tubing. Replace if necessary.
- Check all threads, connections and O-rings to ensure they are clean before installing.
- If possible, assemble the faucet to the lavatory before installing the lavatory.
- The appearance of your product may differ from what is shown in these instructions, however, the installation procedure is the same.
- KALLISTA reserves the right to make revisions in the design of products without notice, as specified in the Price Book.

### TOOLS AND MATERIALS



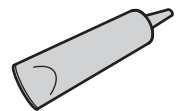
Pipe  
Wrench



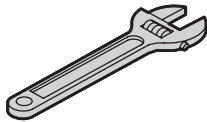
Flat-Blade  
Screwdriver



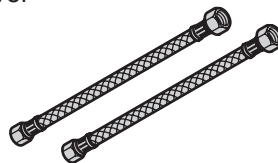
Thread  
Sealant



Sealant



Adjustable  
Wrench



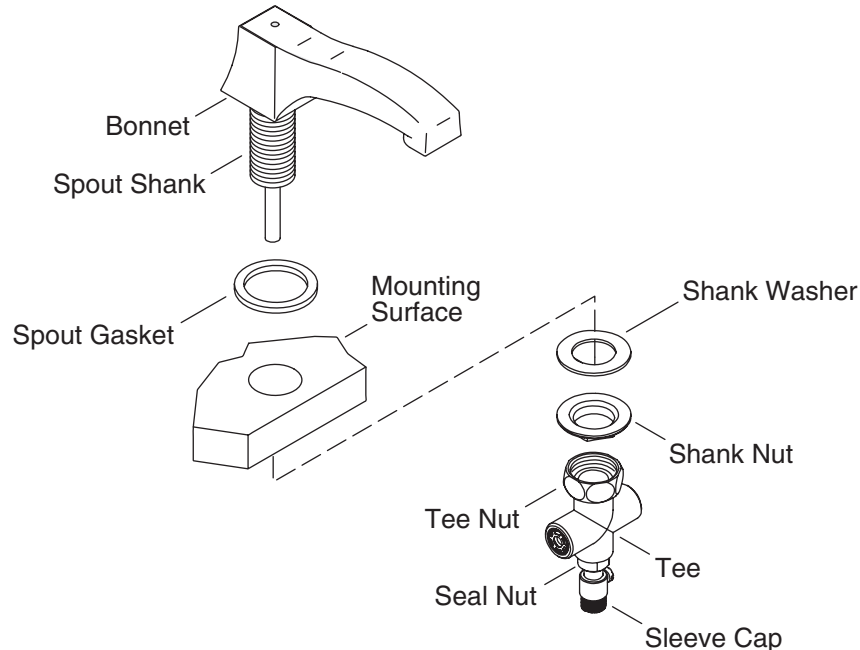
Supply  
Hoses



Plumbers  
Putty

## INSTALLATION INSTRUCTIONS

### 1. INSTALL THE SPOUT



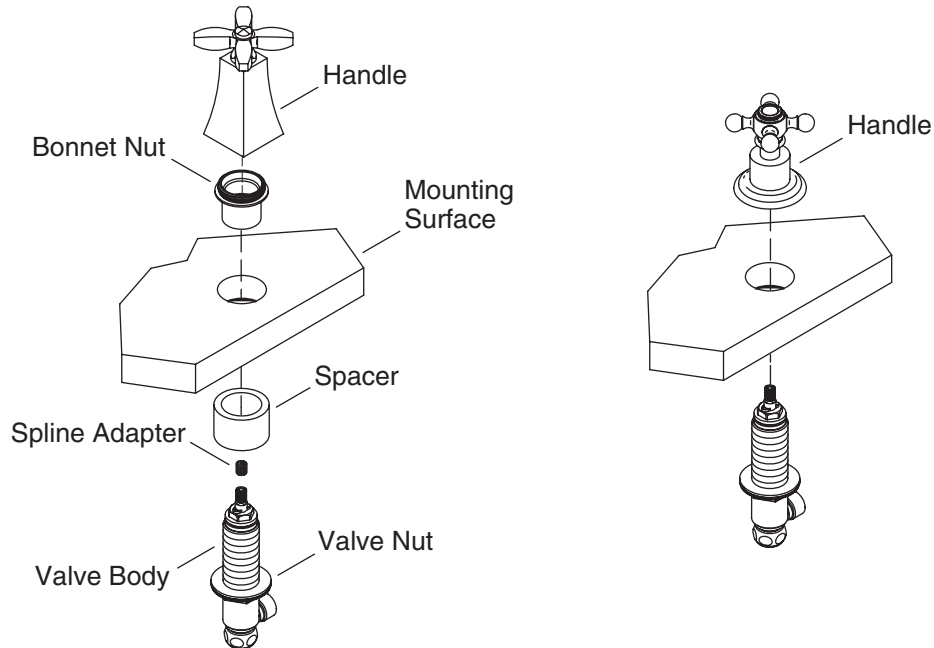
- Remove the sleeve cap.
- Loosen the seal nut by turning it counterclockwise.
- Remove the tee by turning the tee nut counterclockwise.
- Remove the shank nut and shank washer.

**NOTE:** Some faucet designs are supplied with a separate escutcheon. Keep the escutcheon loose and on the spout shank. Position the escutcheon before tightening the shank nut.

- Make sure the spout gasket is properly seated in the groove on the bottom of the spout (or escutcheon).
- Slide the spout shank through the mounting hole.
- Reinstall the shank washer and shank nut.
- Wrench tighten the shank nut.
- Reinstall the tee. Wrench tighten the tee nut.
- Tighten the tee bottom seal nut.
- Reinstall the sleeve cap.

## INSTALLATION INSTRUCTIONS

### 2. INSTALL THE HANDLES



#### All Models

- Turn the bonnet counterclockwise and remove the bonnet from the valve.
- Thread the valve nut down the valve to allow for the thickness of the mounting surface.
- Close the valve (clockwise for hot and counterclockwise for cold).

**NOTE:** Some handle designs are supplied with separate handle escutcheons. Keep the escutcheon loose and on the handle assembly. Position the escutcheon before tightening the handle assembly to the deck.

#### Models with Spacer and Bonnet Nut

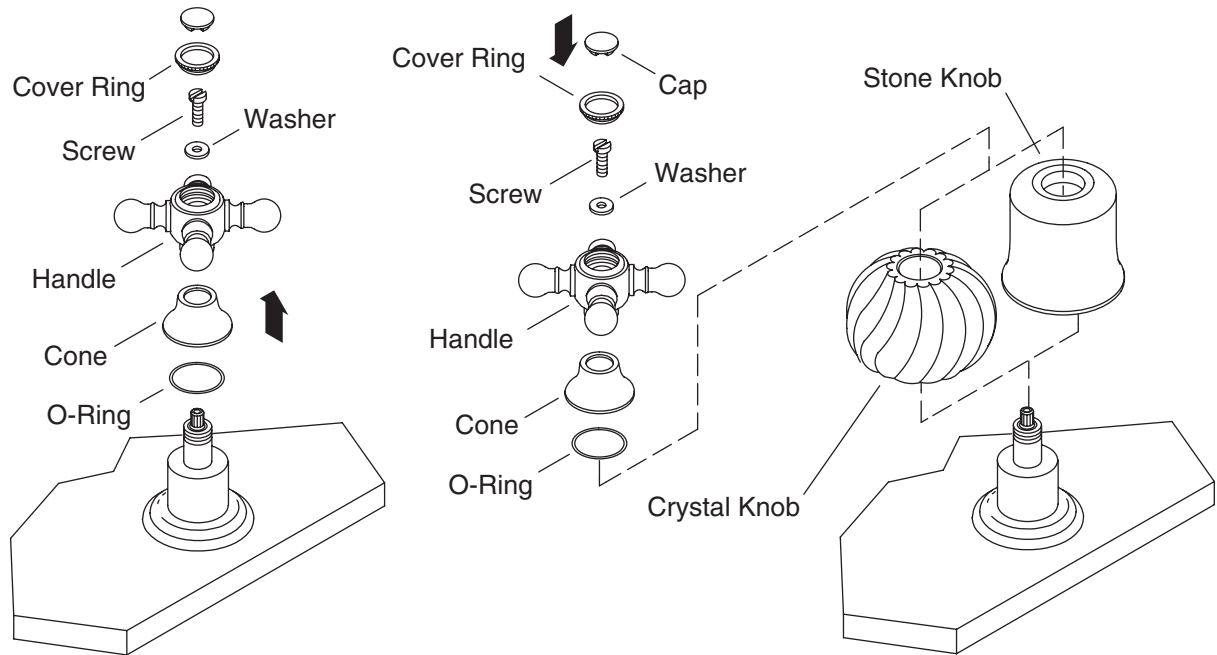
- With the spacer on the valve, from below the mounting surface, slide the valve through the correct (hot = left, cold = right) mounting hole and thread the valve into the bonnet nut.

#### All Models

- Thread the handle onto the valve by turning the body, making sure the handle stays in the closed position and is properly aligned.
- Tighten the valve nut with a wrench, keeping the handle in the final installation position.
- Repeat the steps above to install the remaining handle assembly.

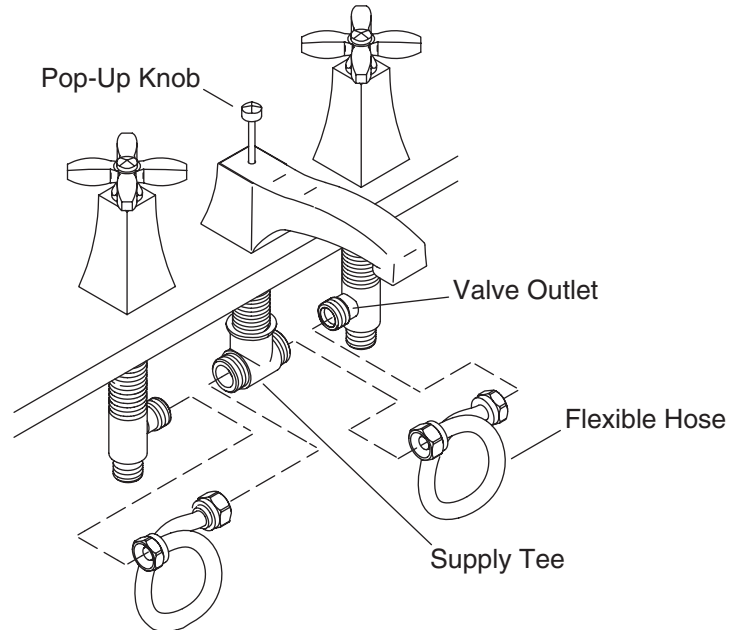
### INSTALLATION INSTRUCTIONS

#### 3. INSTALL THE HANDLE INSERTS



#### **P22550 or P22551 (Purchased Separately)**

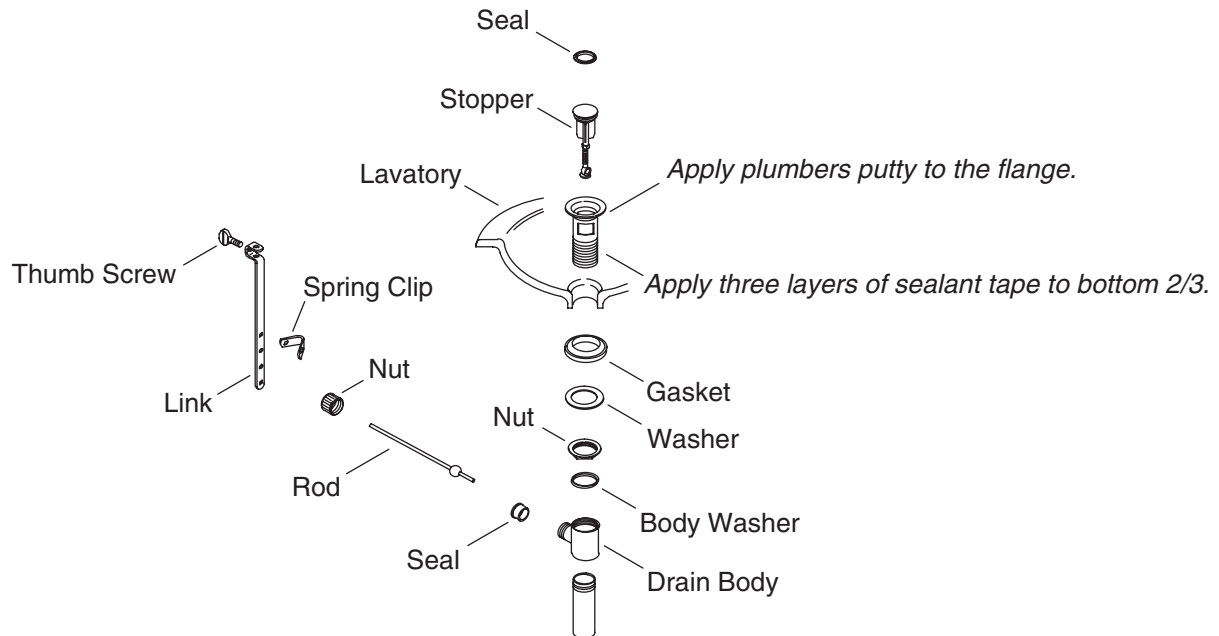
- Turn the handle to the "Off" position.
- Unscrew the cover ring and remove the cap from the cover ring.
- Remove the screw and washer.
- Remove the handle.
- Remove the cone and O-ring (the O-ring may stay inside the cone).
- Install the stone or crystal knob over the bonnet.
- Reinstall the O-ring and cone.
- Reinstall the handle in the proper orientation.
- Secure the handle with the washer and screw.
- Install the cover ring.
- Orient the text on the cap correctly and press the cap into place in the cover ring.
- Repeat for the second handle.

**INSTALLATION INSTRUCTIONS****4. INSTALL THE FLEXIBLE HOSES**

- Insert the pop-up knob assembly into the hole on the top of the spout and down through the spout.
- Thread one end of each flexible hose onto the handle valve outlets. Do not use thread sealant. Tighten securely with a wrench. Do not overtighten.
- Connect the other end of each flexible hose to the spout supply tee. Do not use thread sealant. If necessary, loop the hoses as shown to avoid kinking. Tighten securely with a wrench. Do not overtighten.

## INSTALLATION INSTRUCTIONS

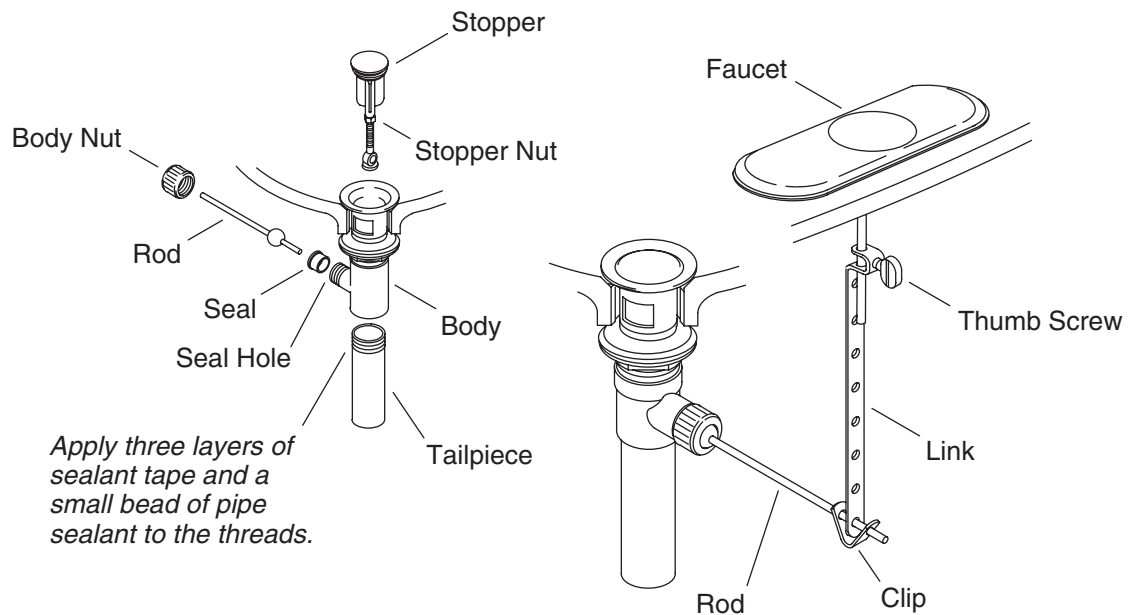
## 5. INSTALL THE DRAIN



- Remove the protective material from the flange.
- Wrap the bottom 2/3 of the flange threads with three layers of sealant tape.
- Apply a ring of plumbers putty or other sealant to the underside of the flange according to the putty manufacturer's instructions.
- Insert the flange into the fixture drain hole.
- Assemble the gasket (tapered side up) and washer to the flange and partially thread the nut to the flange. Do not fully tighten the nut at this time.
- Install the body washer and drain body with the seal hole facing the back of the fixture and securely tighten the nut. Use care to avoid scratching the finish.
- Remove any excess putty or sealant.
- Insert the stopper into the flange.
- Insert the seal into the seal hole on the body.

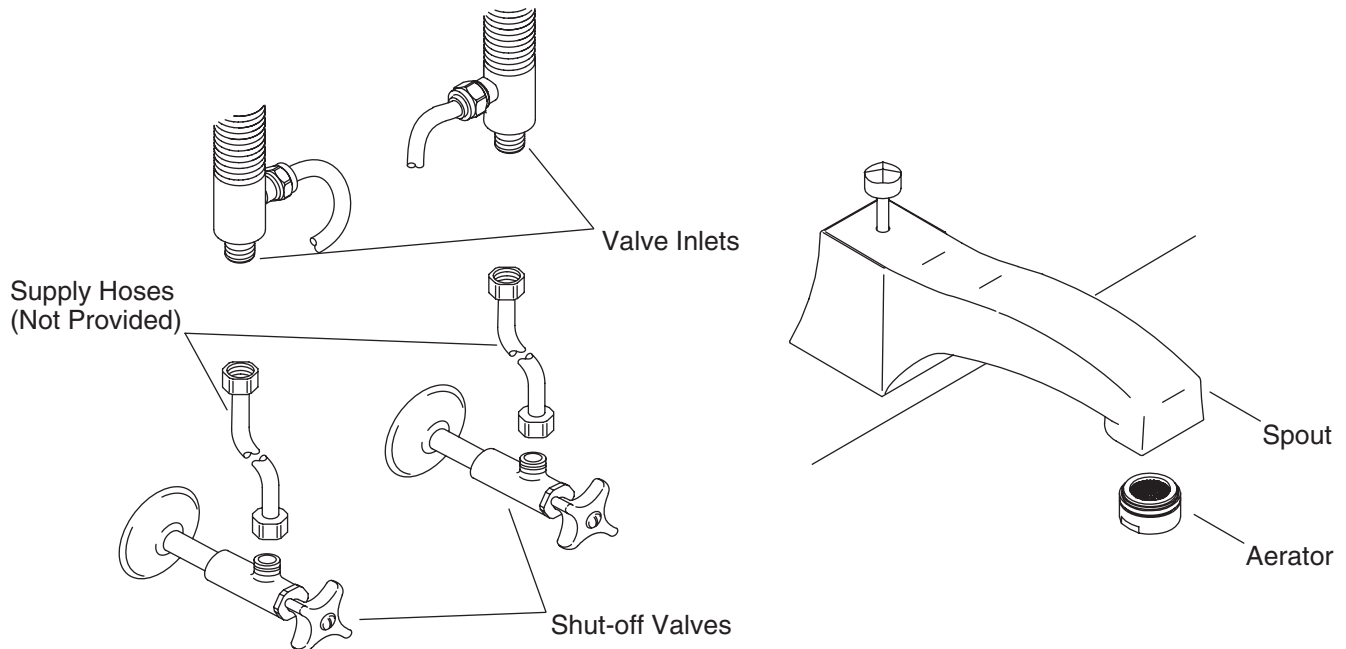
## INSTALLATION INSTRUCTIONS

## 6. COMPLETE THE DRAIN INSTALLATION



- For regular installations, insert the short end of the rod into the body seal hole and under the stopper. Secure with the body nut.
- Remove and adjust the stopper so it lifts about 3/8" (10 mm) when opened. To adjust, loosen the stopper nut and shorten or lengthen the stopper as needed. Tighten the stopper nut.
- Apply three layers of thread tape and a small bead of pipe sealant to the tailpiece threads.
- Thread the tailpiece to the body and tighten securely.
- Slide one end of the clip onto the rod. Slide the link onto the rod with the thumbscrew facing the back of the fixture.
- Squeeze the other end of the clip, aligning the hole with the rod.
- Move the link to the proper position by squeezing the clip and sliding it along the rod.
- Insert the pop-up rod into the hole in the faucet and then into the hole in the link.
- Tighten the thumbscrew onto the link so the pop-up rod knob extends above the pop-up rod hole.



**INSTALLATION INSTRUCTIONS****7. CONNECT THE SUPPLIES**

- Install the water supply shutoff valves according to the manufacturer's instructions.
- Connect the supply hoses (not provided) to the valve inlets and supply shutoff valves. Left is HOT and right is COLD.
- Tighten all connections.

**8. INSTALLATION CHECKOUT**

- Connect the tailpiece and P-trap (not supplied).
- Ensure all connections are watertight.
- Remove the aerator assembly by turning it counterclockwise.
- Open the drain. Open the main water supply and check for leaks. Repair as necessary.
- Open both hot and cold valves and run water through the spout for one minute to remove debris. Check for leaks in the flexible hose connections. Turn the valves off.
- Install the aerator assembly.