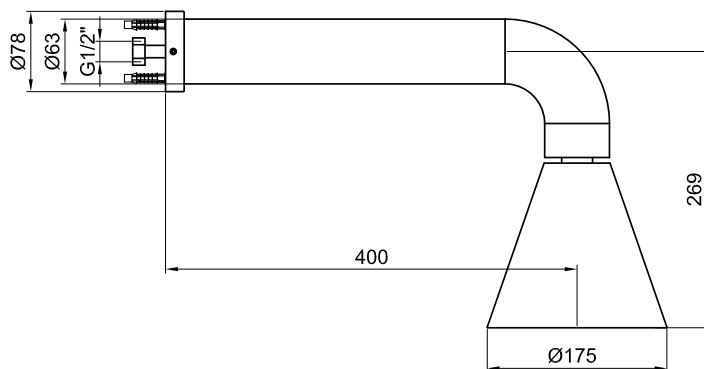




JEE-O cone wall shower



Article code: **900-6900**
● Brushed
900-6906
● Gun metal

Material: **Stainless Steel r304**

Cleaning instructions: **download JEE-O shower and taps manual on our website: www.jee-o.com**

Flow at water of 38°C: **Available soon**

Pressure: **Recommended working pressure 3Bar**

Connection: **G ½" (ø15mm / 0.6")**

Thread: **British Standard Pipe (BSP)**

Dimension package: **L 59 x W 41 x H 22 cm**

Total weight: **4.9 kg**

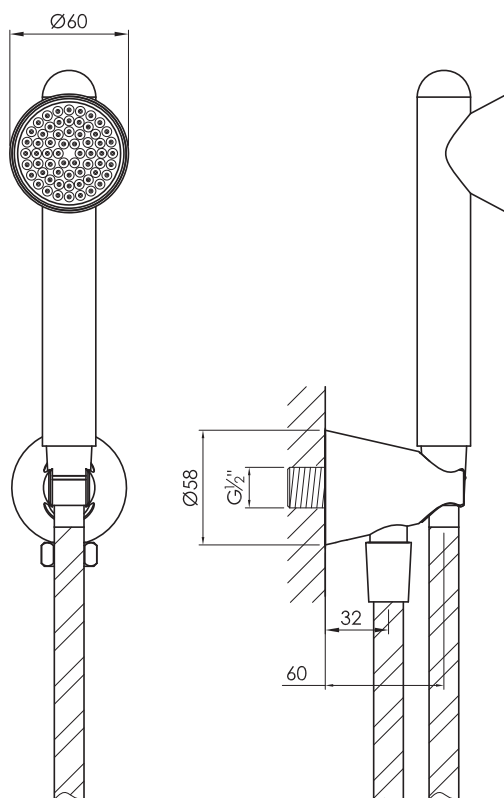
Package weight: **1.7 kg**

2 year warranty - The general conditions can be found on our website: www.jee-o.com/downloads

HS code: **84248970**



JEE-O cone wall hand shower



Article code:

900-6910

● Brushed

900-6916

● Gun metal

Material:

Stainless Steel r304

Cleaning instructions:

download JEE-O shower and taps manual on our website: www.jee-o.com

Pressure:

Recommended working pressure 3Bar

Flexhose:

150 cm length

Connection:

G 1/2" (Ø15mm / 0.6")
nylon^(out)/epdm⁽ⁱⁿ⁾ flexhose
with brass swivel
British Standard Pipe (BSP)

Thread:

Dimension package:

L 37 x W 28 x H 10 CM

Total weight:

1.6 kg

Package weight:

0.3 kg

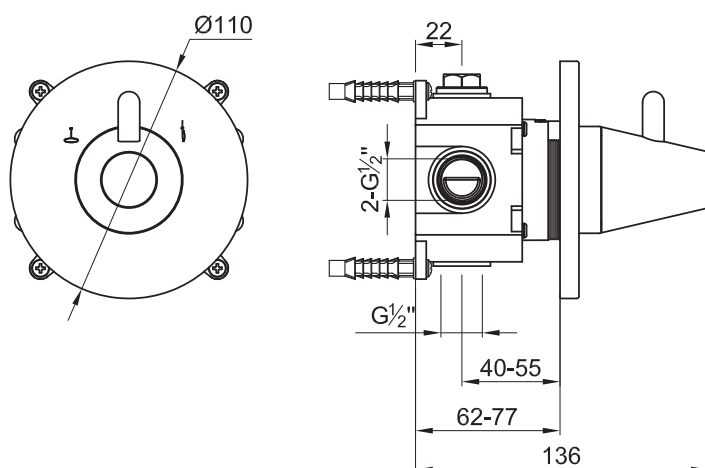
2 year warranty - The general conditions can be found on our website: www.jee-o.com/downloads

HS code:

84248970



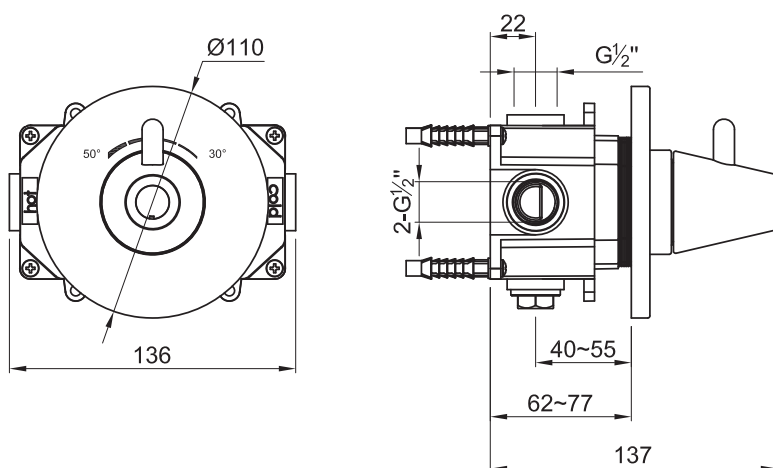
JEE-O cone diverter



Article code:	900-2600 ● Brushed 900-2606 ● Gun metal	Connection:	2 x G 1/2" (Ø15mm / 0.6")
Material:	Stainless Steel r304	Thread:	British Standard Pipe (BSP)
Cleaning instructions:	download JEE-O shower and taps manual on our website: www.jee-o.com	Dimension package:	L 25 x W 18 x H 16 cm
Cartridges:	Fluhs ceramic diverter mechanism item code 005-0601	Total weight:	1.6 kg
Flow at water of 38°C:	11l p/m at 3Bar pressure	Package weight:	0.3 kg
Pressure:	Recommended working pressure 3Bar	2 year warranty - The general conditions can be found on our website: www.jee-o.com/downloads	
		HS code:	84248970



JEE-O cone thermostat



Article code:	900-2500 ● Brushed 900-2506 ● Gun metal	Connection:	2 x G ½" (ø15mm / 0.6")
Material:	Stainless Steel r304	Thread:	British Standard Pipe (BSP)
Cleaning instructions:	download JEE-O shower and taps manual on our website: www.jee-o.com	Dimension package:	L 28 x W 18 x H 16 cm
Cartridges:	Vernet mixing mechanism (thermostatic) item code 005-0501	Total weight:	1.9 kg
Flow at water of 38°C:	12l p/m at 3Bar pressure	Package weight:	0.4 kg
Pressure:	Recommended working pressure 3Bar	2 year warranty - The general conditions can be found on our website: www.jee-o.com/downloads	
		HS code:	84248970