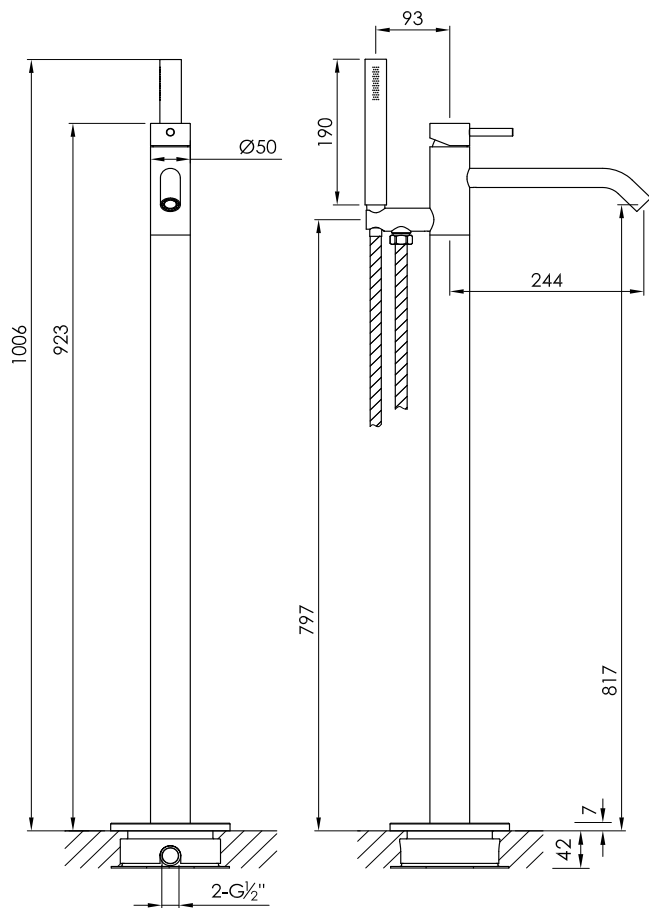
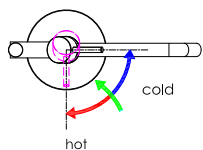




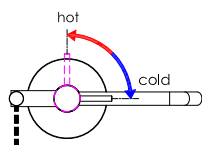
JEE-O slimline bath mixer O2



left flow spout



right flow handshower



Article code:

800-3010

● Brushed

800-3013

● Structured black

800-3014

● PVD coated bronze

800-3015

● PVD coated matt gold

800-3019

● PVD coated dark steel

Material:

Stainless Steel r304

Cleaning instructions:

download JEE-O shower and taps manual on our website: www.jee-o.com

Cartridges:

Kerox ceramic mixing mechanism (progressive) with diverter, item code 005-0204

Flow at water of 38°C:

11L /p/m at 3Bar pressure

Pressure:

Recommended working pressure 3Bar

Connection:

2 x G 1/2" (ø15mm / 0.6")

Thread:

British Standard Pipe (BSP)

Dimension package:

L 110 x W 42 x H 13 cm

Total weight:

7.7 kg

Package weight:

1.6 kg

Placing on a water-tight floor

7 year warranty - The general conditions can be found on our website: www.jee-o.com/downloads

HS code:

84818011900

Approvals:



JEE-O slimline bath mixer O2 specifications | September 2023

Slight variations in the aesthetic appearance of the product, including the color, may occur after exposure to external influences such as sunlight, pollution or harmful chemicals. Models are subject to change and specs may contain typographical errors