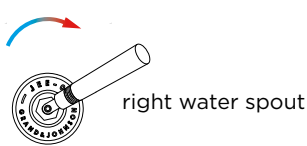
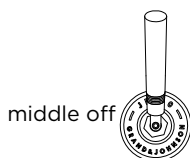
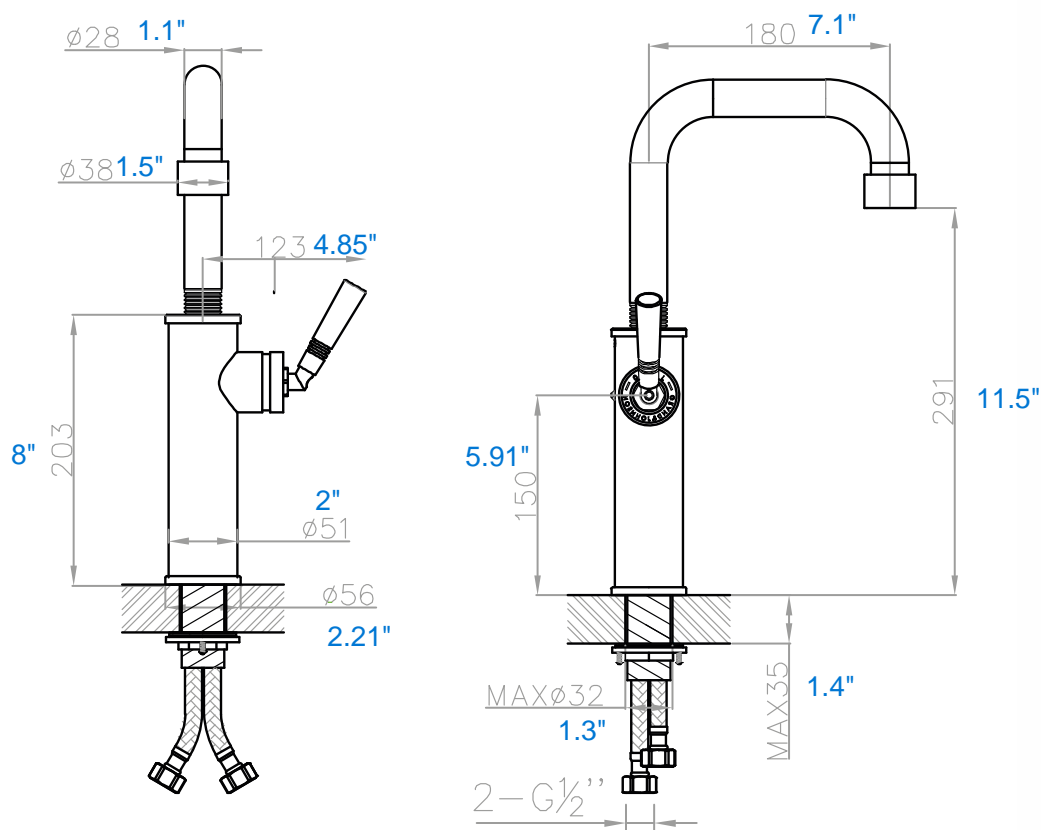




JEE-O soho basin/kitchen mixer



| | | | |
|------------------------|---|---|---|
| Article code: | 700-1750 ● RAW 700-1752 ● 1.5 Electro powder spray hammercoated black | Connection: | 2 x G 1/2" ($\phi 15$ mm / 0.6") nylon ^(out) /epdm ⁽ⁱⁿ⁾ flexhose with brass swivel British Standard Pipe (BSP) |
| Material: | Stainless Steel r304 | Thread: | |
| Cleaning instructions: | download JEE-O shower and taps manual on our website: www.jee-o.com | Dimension package: | L 56 x W 35 x H 17 cm |
| Cartridge: | Sedal ceramic mixing mechanism (progressive), item code 005-0105 | Total weight: | 3.2 kg |
| Flow at water of 38°C: | 8l p/m at 3Bar pressure | Package weight: | 0.9 kg |
| Pressure: | Recommended working pressure 3Bar | 7 year warranty - The general conditions can be found on our website: www.jee-o.com/downloads | |
| | | HS code: | 84818011 |
| | | Approvals: | SLS BS EN 817, SS 375, AS/NZS 4020, BS EN |

