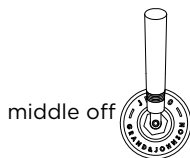
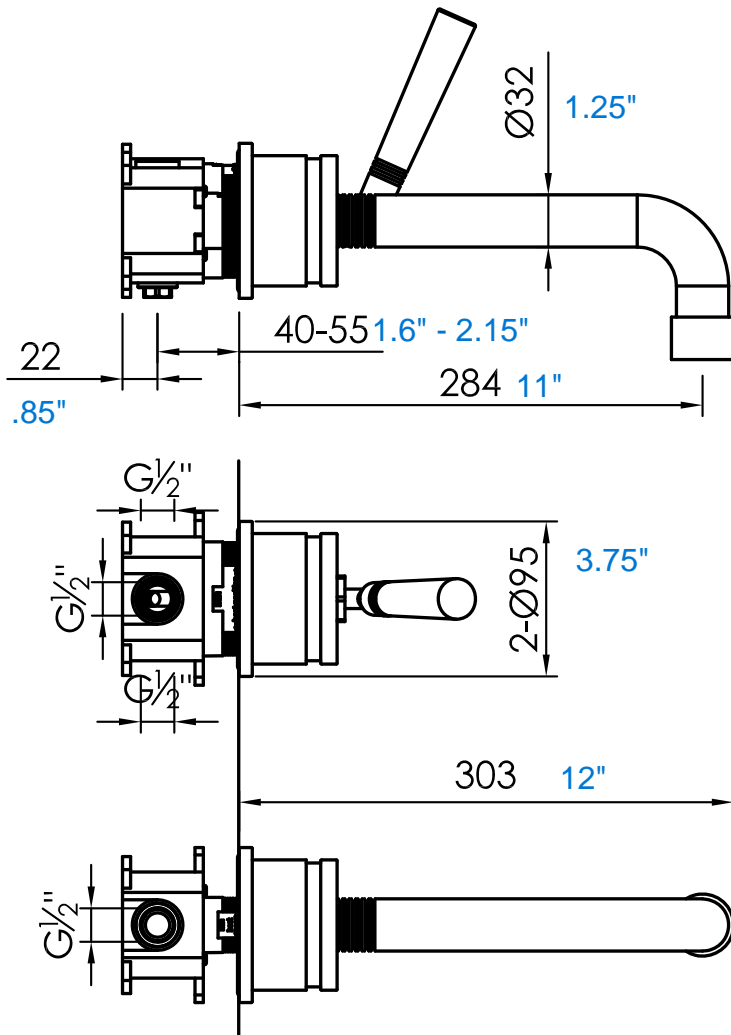
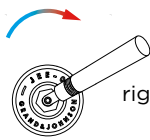




JEE-O soho wall basin mixer



middle off



right water spout



Article code:

700-1500

● RAW

700-1502

● 1.5 Electro powder spray hammercoated black

Material:

Stainless Steel r304

Cleaning instructions:

download JEE-O shower and taps manual on our website: www.jee-o.com

Cartridge:

Sedal ceramic mixing mechanism (progressive), item code 005-0104

Flow at water of 38°C:

10l p/m at 3Bar pressure

Pressure:

Recommended working pressure 3Bar

Connection:

Thread:

4 x $G\frac{1}{2}$ " ($\text{Ø}15\text{mm} / 0.6"$)
British Standard Pipe (BSP)

Dimension package:

Total weight:

Package weight:

L 56 x W 34 x H 17 cm

4.4 kg

0.9 kg

7 year warranty - The general conditions can be found on our website: www.jee-o.com/downloads

HS code:

84818011

Approvals:

SLS BS EN 817, SS 375,
AS/NZS 4020, BS EN

