

Quarter Turn Angle Pattern 1/2" Push Fit x 3/8" O.D. Toilet Supply Kit with Escutcheon and 20" Supply Tube



Model #: 638PF-72-



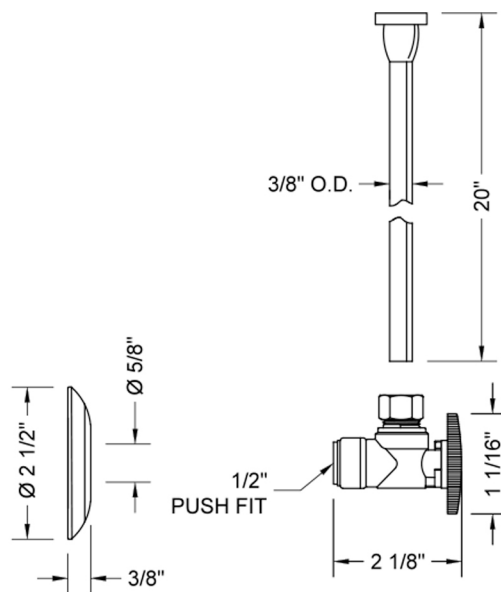
FEATURES:

- For use with 1/2" copper, CPVC, or PEX
- Complete Toilet Supply Kit
- Kit contains:
 - (1) Quarter Turn Angle Pattern 1/2" Push Fit x 3/8" O.D. Supply Valve with Oval Handle P/N 638-PF
 - (1) 20" Copper Supply Tube P/N 772
 - (1) Escutcheon P/N 7463
 - (1) Clip P/N D7750-12

AVAILABLE FINISHES:

Polished Chrome (PCH) Satin Nickel (SN)

SPECIFICATION DRAWING:



COMPONENTS	
DESCRIPTION	QTY:
ANGLE VALVE - OVAL HANDLE	1
20" X 3/8" O.D. COPPER SUPPLY TUBE	1
ESCUTCHEON	1
PUSH FIT CLIP	1