

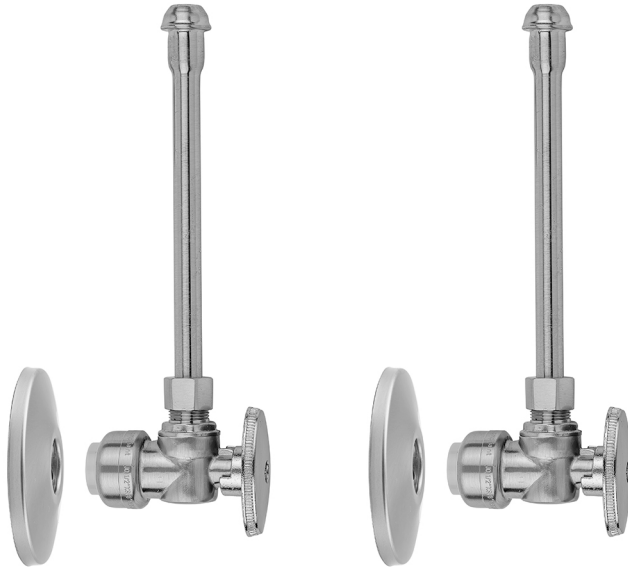
# Quarter Turn Angle Pattern 1/2" Push Fit x 3/8" O.D. Faucet Supply Kit with Escutcheons and 20" Supply Tubes



**Model #: 638PF-62-**

## FEATURES:

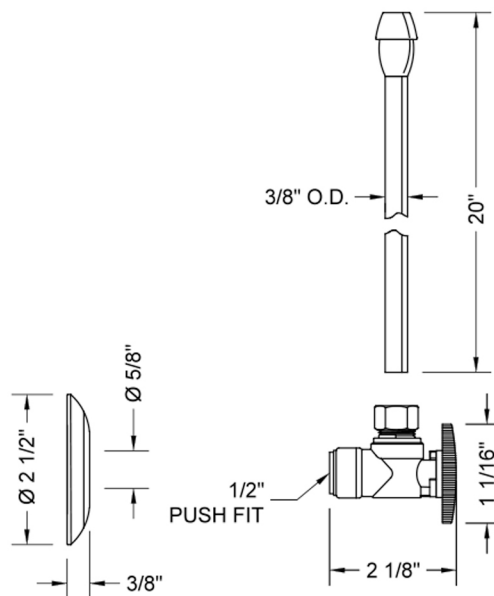
- For use with 1/2" copper, CPVC, or PEX
- Complete Faucet Supply Kit
- Kit contains:
  - (2) Quarter Turn Angle Pattern 1/2" Push Fit x 3/8" O.D. Supply Valve with Oval Handle P/N 638-PF
  - (2) 20" Copper Supply Tubes P/N 662
  - (2) Escutcheons P/N 7463
  - (1) Clip P/N D7750-12



## AVAILABLE FINISHES:

Polished Chrome (PCH)    Satin Nickel (SN)

## SPECIFICATION DRAWING:



COMPONENTS	
DESCRIPTION	QTY:
ANGLE VALVE - OVAL HANDLE	2
20" X 3/8" COPPER SUPPLY TUBE	2
ESCUTCHEON	2
PUSH FIT CLIP	1