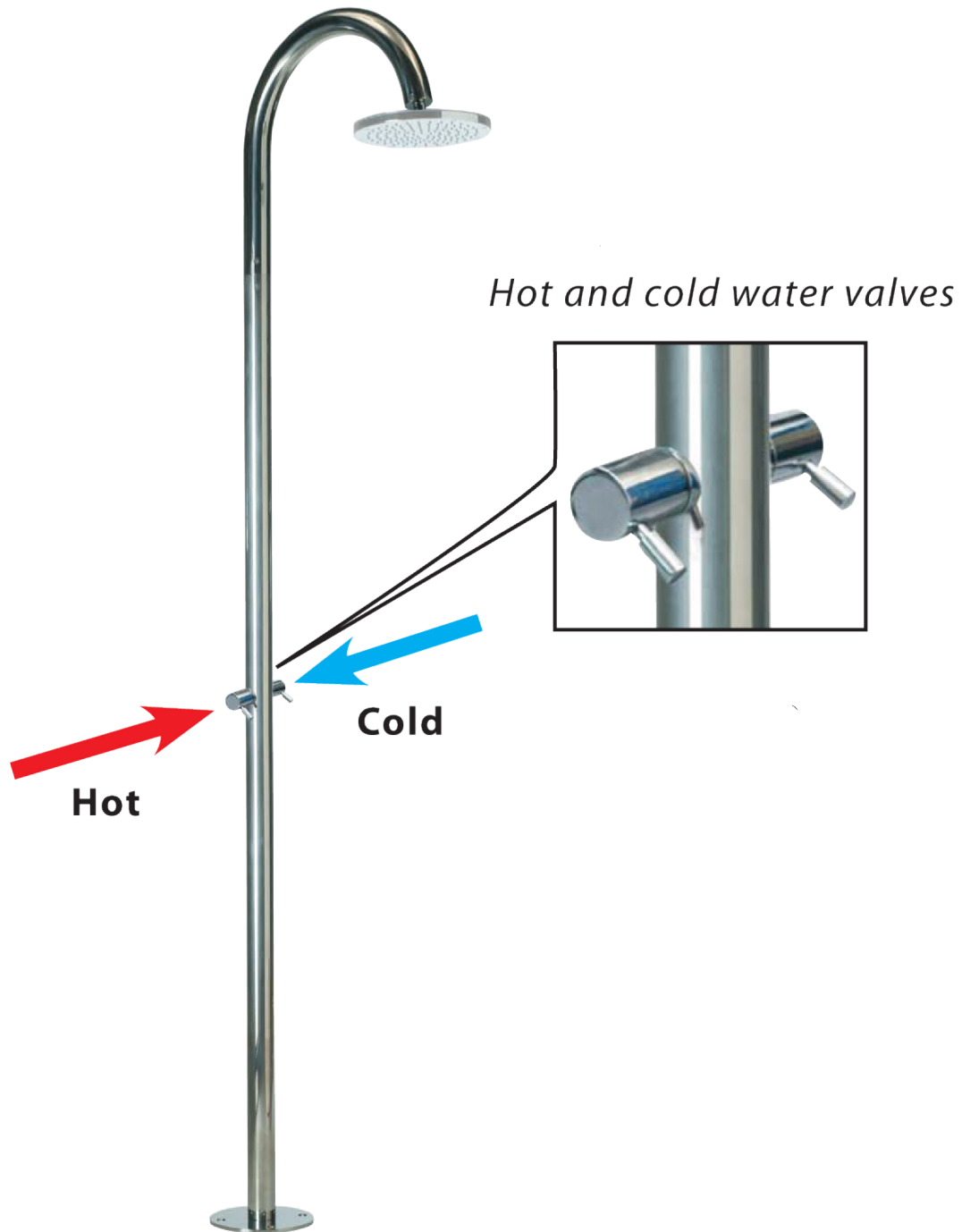
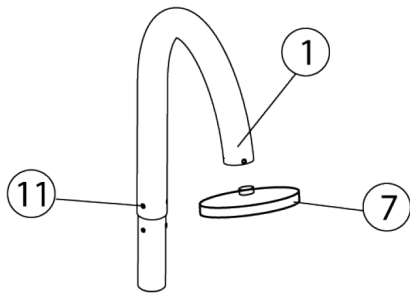


# INSTALLATION INSTRUCTIONS

Outdoor Shower  
Part #: 1833

**JACLO**<sup>®</sup>  
Confidence from start to finish.<sup>®</sup>





**Components**

- 1) Curved shower pipe
- 2) Straight vertical shower pipe
- 3) Base
- 4) M8x40 mm screws (4 pieces)
- 5) Supply flexible hose
- 6) M4 Screws (8 pieces)
- 7) Shower head
- 8) Threaded nut
- 9) Concealed inlet box
- 10) Hot and cold water inlet flexible hose
- 11) M4 adjusting/fixing screw (3 piece)
- 12) Hot and cold water Valves

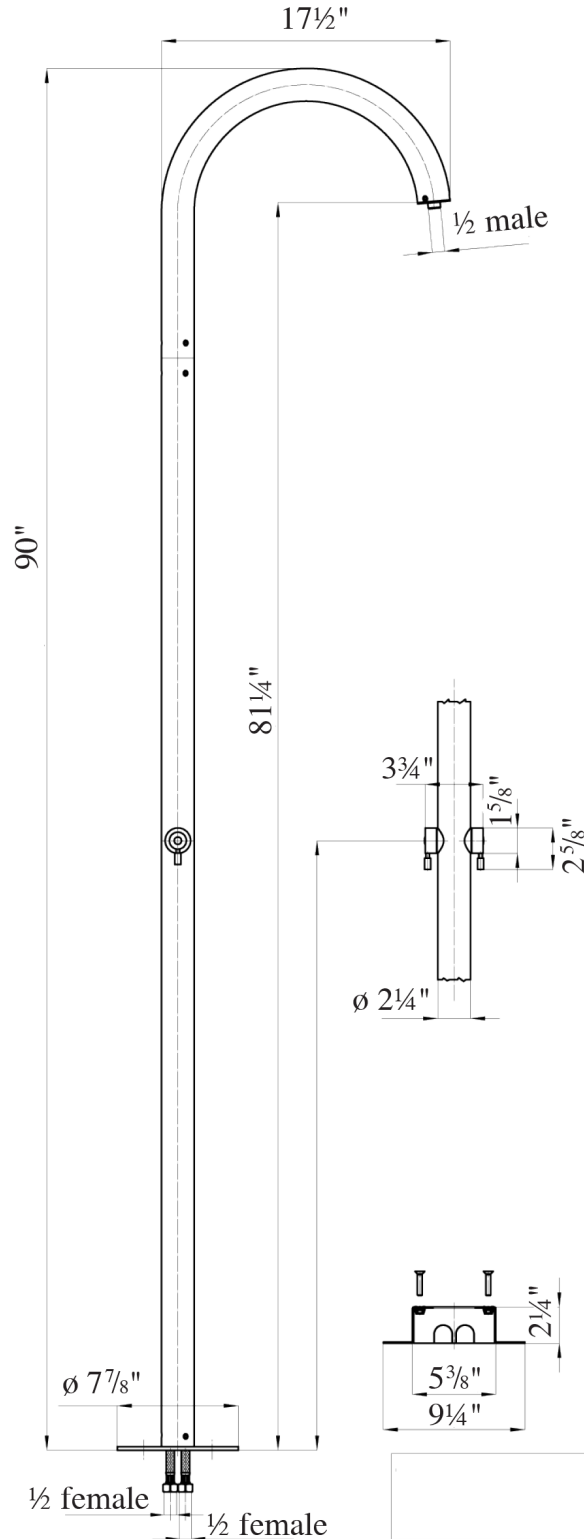
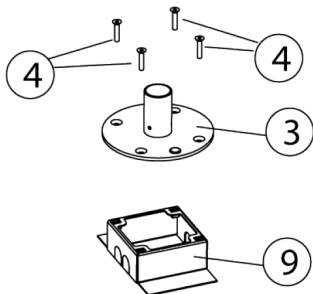
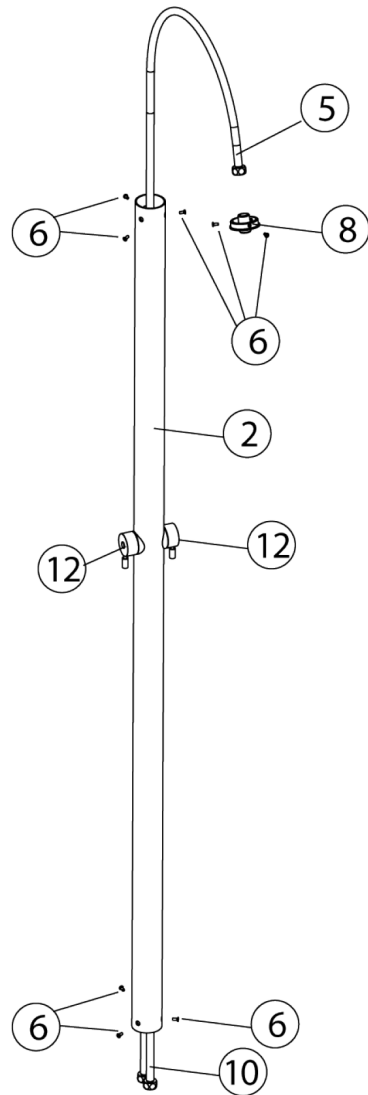


Fig.A1

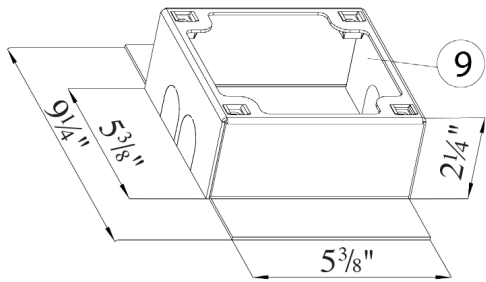


Fig.A2

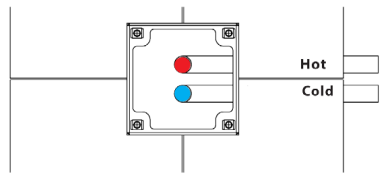


Fig.A3

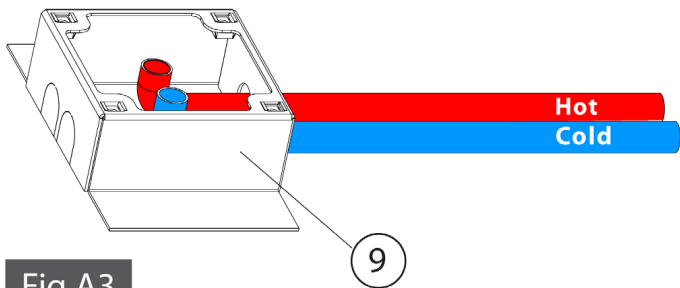


Fig.A

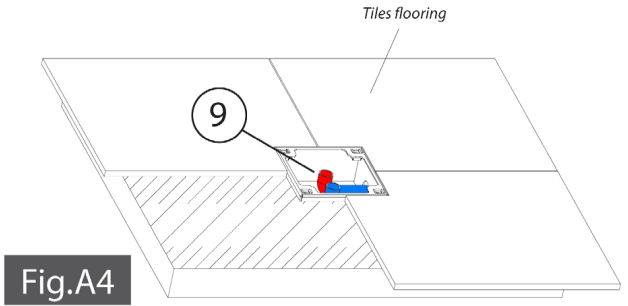


Fig.A4

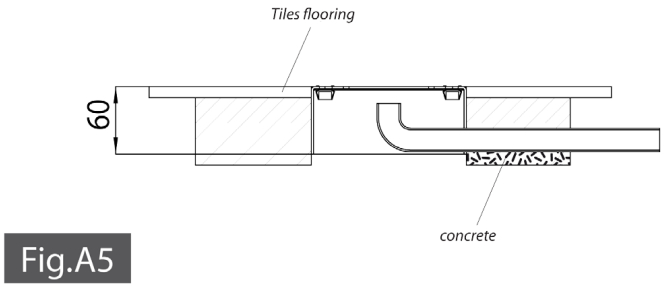


Fig.A5

Fig.B

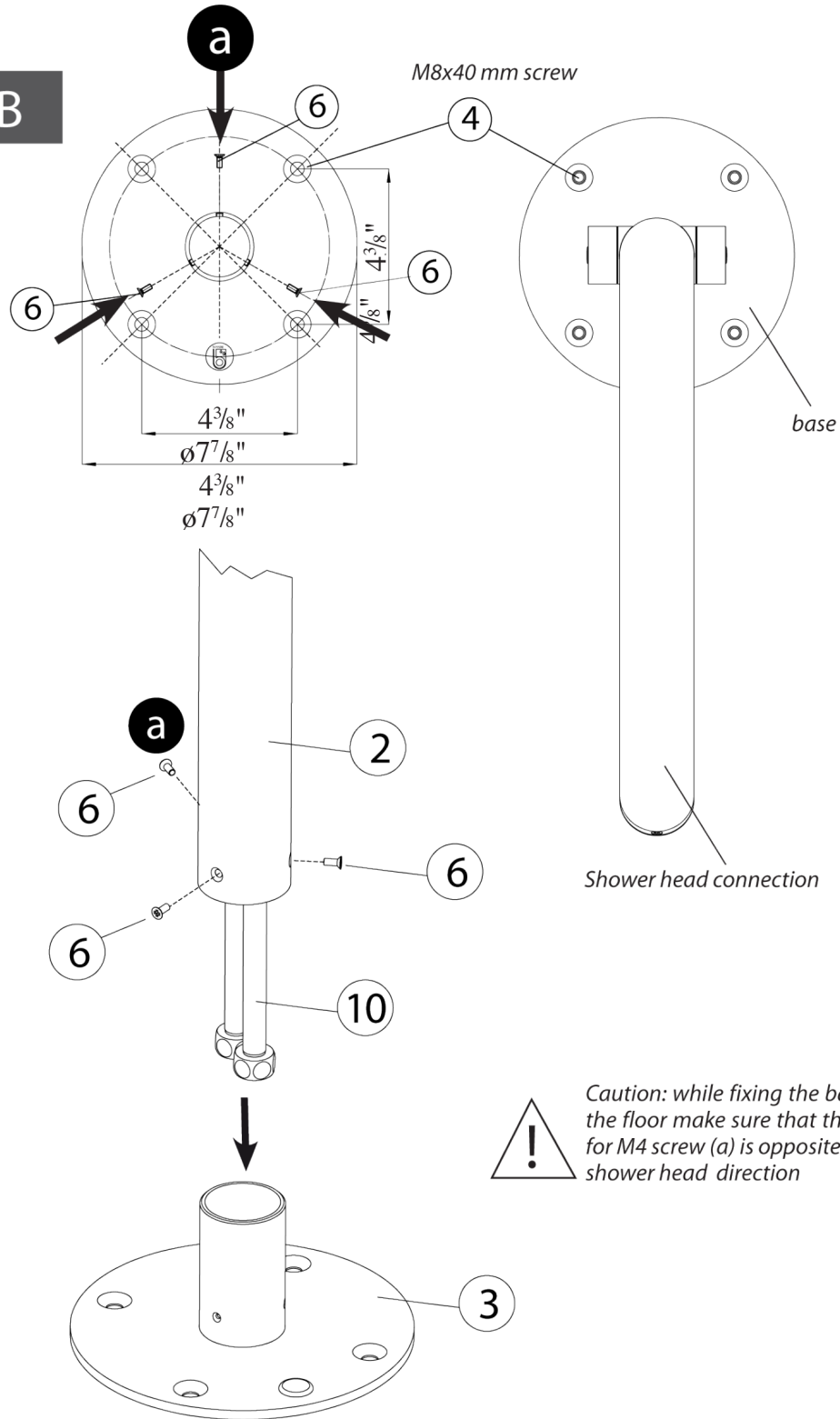


Fig.C

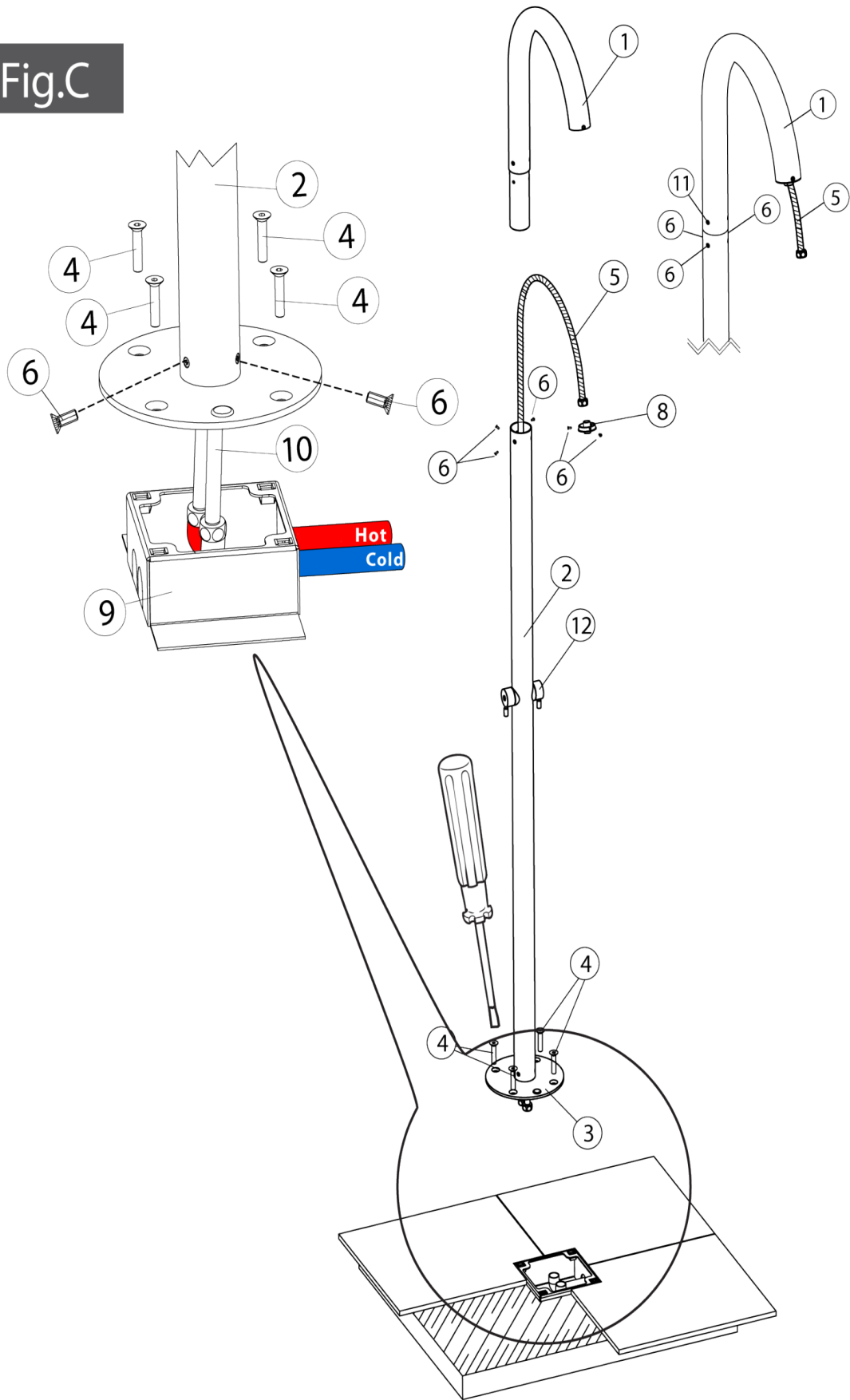


Fig.D

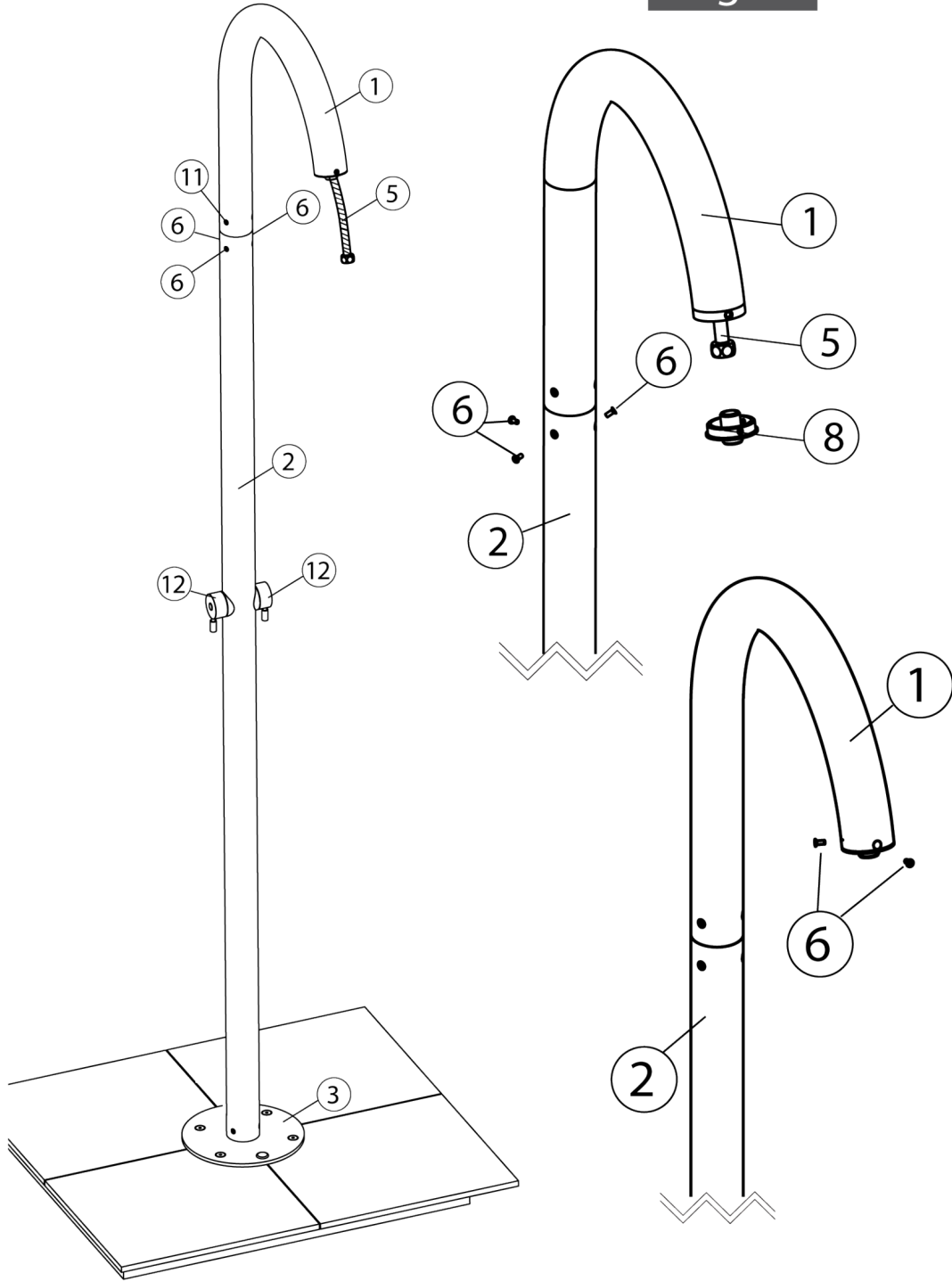
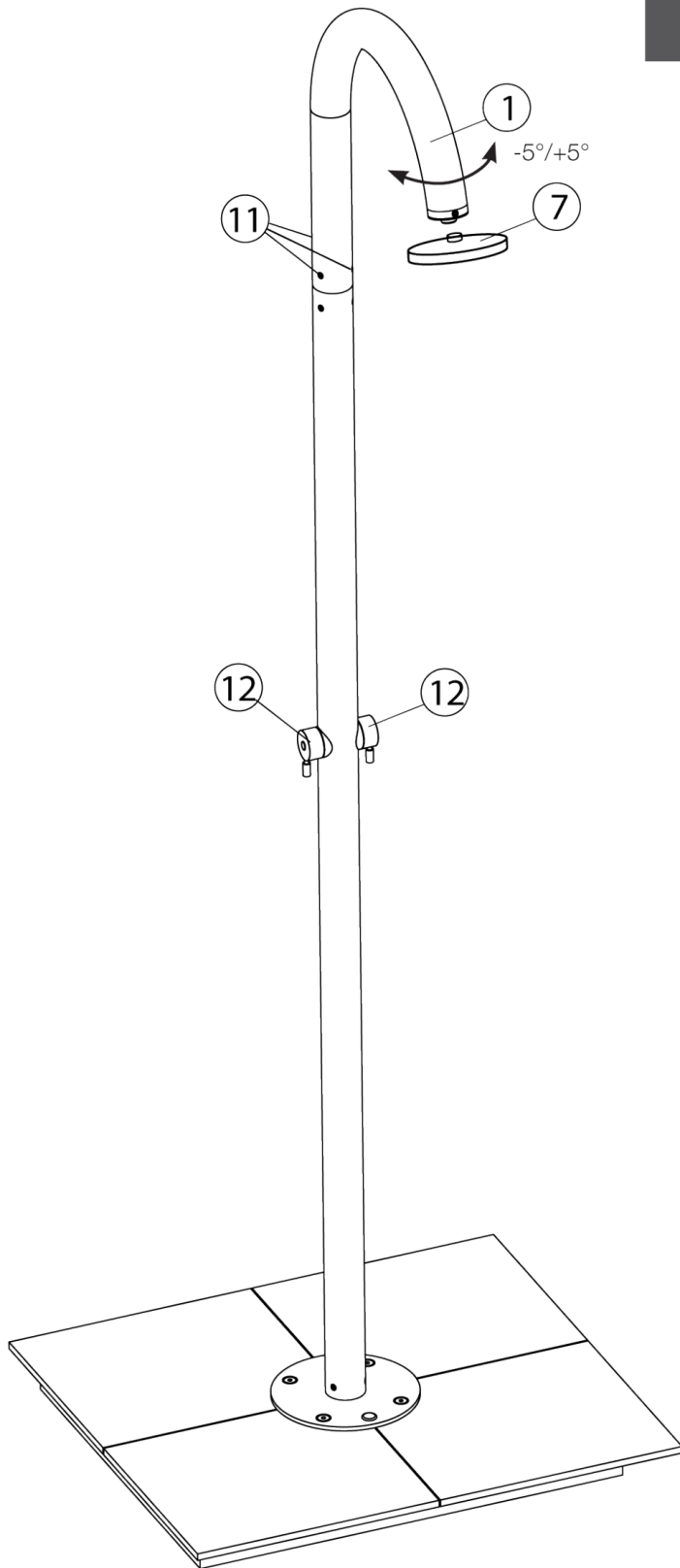


Fig.E



## INSTALLATION INSTRUCTIONS

### Important!



**To ensure the correct installation of the shower column it is necessary to decide in advance with planners / installers the desired direction of the shower head. In fact the final position of the shower column is determined by the positioning of the concealed inlet box (9) and fixation of the base (3) as shown in (Figure B) of this leaflet. Arrange plumbing at the desired location accordingly.**

### Installation

- Arrange the hot and cold water plumbing. (Figure A)
- Install the concealed inlet box (9), aligning the two hot and cold water pipes. (Figure A1, Figure A2, Figure A3)
- Caution! Complete the flooring (Figure A4), making sure that the upper edge of the concealed box (9), is perfectly aligned to the floor level (Figure A5).
- Preassemble the straight pipe (2) and the base (3) pulling the hot and cold water inlet hoses (10) out from the bottom of base (3). (Figure B)
- Caution : Assemble the base (3) with the vertical tube (2) according to the desired shower jet direction (Figure B). Remind that the M4 screw hole (a) is opposite to shower head direction.
- Connect the two hot and cold inlet flexible hoses (10) to corresponding hot and cold water pipes in the concealed box (9). (Figure C).
- Secure the base (3) with the M8x70 mm screws (4) (Figure C). Pay attention that the M4 screw (a) is opposite to the desired shower head position
- Assemble the curved shower pipe (1) with straight pipe (2) pulling the supply flexible hose (5) out from upper curved pipe. Secure the two pipes at their connecting point with screws (6), (Figure D)
- Screw supply flexible hose nut (5) to the threaded nut (8) and secure it to shower pipe outlet (1) with screws (6) (Figure D).
- Align the straight and curved tubes (1) & (2) (an adjustment range  $\pm 5^\circ$  is allowed) and tighten the M4 adjusting screws (11) (Figure E).



## CARE INSTRUCTIONS

In order to maintain the high quality finish of JACLO products, please adhere to the following product care instructions:

**Cleaning JACLO products:** For routine cleaning, simply use a soft damp cloth and common household soap, then rinse and dry. Proper care of your product is important because most water contains calcium that deposits on surfaces, forming unpleasant spots. This can be avoided by routine cleaning and drying after every use. Use only mild soap based detergents.

Never use abrasive cleaners, bleach, disinfectants or cleaning products containing alcohol, ammonia, hydrochloric or phosphoric acids as they will damage the product finish.

**Please note:** Your product warranty may not be valid if the above cleaning guidelines are not followed.

**The use of water softeners, which are loaded with salt, will destroy any finish in time. Use of water softeners void all warranties.**

## WARRANTY

**Residential Warranty:** Your new plumbing fixture is warranted by **JACLO INDUSTRIES**, 129 Dermody Street, Cranford, NJ 07016. This warranty is extended to original consumer purchasers only. This warranty gives you specific legal rights, and you may also have other rights which vary from state to state.

The product (including the finish on the product but excluding any custom finishes and any installation hardware not supplied by JACLO) is warranted to be free from defects in material or workmanship under normal use and service for the lifetime\* of the fixture, so long as the original consumer purchaser owns it. JACLO's sole obligation under this or any other warranty is limited to repairing or replacing at JACLO's option, without labor, any part or parts of the fixture which fall to conform to such warranty.

**JACLO WILL NOT BE LIABLE FOR ANY CONSEQUENTIAL OR INCIDENTAL DAMAGES CAUSED BY A BREACH OF THIS OR ANY OTHER WARRANTY.**

Some states do not allow the exclusion of limitation of incidental or consequential damages, so the above limitation may not apply to you.

To secure warranty performance, the original consumer purchaser must have the fixture properly and professionally installed in accordance with all codes and installation instructions.

Items and actions that will void the JACLO warranty are:

- Abuse, misuse, neglect and accidental damage
- Improper cleaning care of maintenance of the fixture
- Alteration of the fixture in any way including removal of a flow regulator/restrictor

All warranty claims must be made in accordance with the JACLO return policy (see below).

JACLO does not authorize any distributor, retailer or other person to modify this warranty or assume any liability on its behalf with respect to it. Any question regarding the operation of warranty should be addressed to JACLO's warranty department.

\*Due to the unpredictable environment, all kitchen drains, strainers and garbage disposal flanges are warranted for the period of one year from date of purchase from an authorized JACLO dealer

**Commercial Warranty:** JACLO extends the above warranty for a period of one year from date of purchase to purchasers of products for industrial, commercial, business and all non-private residential uses.